

**SPLIT TYPE
ROOM AIR CONDITIONER**
CEILING WALL type

SERVICE MANUAL



| Models | Indoor unit | Outdoor unit |
|--------|-------------|--------------|
| | AWY18FBAJ | AOY18FNAK |
| | AWY18FBBJ | AOY18FNBK |
| | AWY18UBAJ | AOY18UNAKL |
| | AWY18UBBJ | AOY18UNBKL |
| | AWY24FBBJ | AOY24FNBK |
| | AWY24UBBJ | AOY24UNBKL |
| | AWY30FBBJ | AOY30FNBDL |
| | AWY30UBBJ | AOY30UNBDL |

CONTENTS

| | |
|---|----|
| SPECIFICATIONS | 1 |
| OUTLINE AND DIMENSIONS | 3 |
| REFRIGERANT SYSTEM DIAGRAM | 5 |
| CIRCUIT DIAGRAM | 8 |
| ERROR DISPLAY | 13 |
| PCB CIRCUIT DIAGRAM | 14 |
| DISASSEMBLY ILLUSTRATION (Indoor Unit) | 16 |
| DISASSEMBLY ILLUSTRATION (Outdoor Unit) | 26 |
| PARTS LIST (Indoor Unit) | 37 |
| PARTS LIST (Outdoor Unit) | 41 |

FUJITSU GENERAL LIMITED



Большая библиотека технической документации

<https://splitsystema48.ru/instrukcii-po-ekspluatacii-kondicionerov.html>

каталоги, инструкции, сервисные мануалы, схемы.

SPECIFICATIONS

| | | | | |
|-----------------------|-----------|-----------|-----------|------------|
| TYPE | Cool | | | |
| INDOOR UNIT | AWY18FBAJ | AWY18FBBJ | AWY24FBBJ | AWY30FBBJ |
| OUTDOOR UNIT | AOY18FNAK | AOY18FNBK | AOY24FNBK | AOY30FNBDL |
| COOLING CAPACITY (kW) | 5.40 | | 6.80 | 7.90 |

ELECTRICAL DATA

| | | | | |
|----------------------------|------|------|------|------|
| POWER SOURCE (V) | 230 | | | |
| FREQUENCY (Hz) | 50 | | | |
| RUNNING CURRENT (A) | 7.3 | 8.5 | 10.6 | 13.0 |
| INPUT WATTS (kW) | 1.66 | 1.90 | 2.40 | 2.75 |
| E.E.R. (kW/kW) | 3.25 | 2.84 | 2.83 | 2.87 |
| MOISTURE REMOVAL (ℓ/hr) | 2.0 | | 2.5 | 3.0 |
| AIR CIRCULATION-HI (m³/hr) | 950 | 795 | 950 | 950 |

COMPRESSOR

| | | | | |
|-----------------------|---|-----------|-----------|-----------|
| TYPE | Hermetic type, Deposit electrode condenser, 2 poles. Single phase, Induction motor, Rotary | | | |
| CODE | 5KS205DAB | 5KS225DAC | 5JS290DAA | 5JS315DAD |
| REFRIGERANT R410A (g) | 1,450 | 900 | 1,550 | 2,300 |

FAN MOTOR

| | | | | | |
|------------------|--------------------|-----------|-------|-----------|-------|
| POWER SOURCE (V) | 230 | | | | |
| INDOOR UNIT | TYPE | MFA-30HTT | | | |
| | HI-SPEED (r.p.m.) | 1,190 | 1,150 | 1,300 | 1,310 |
| | MED-SPEED (r.p.m.) | 980 | 1,030 | 1,160 | 1,180 |
| | LO-SPEED (r.p.m.) | 760 | 930 | 1,020 | 980 |
| OUTDOOR UNIT | TYPE | MFB-24JTT | | MFB-30DFT | |
| | HI-SPEED (r.p.m.) | 780 | | 730 | |
| | LO-SPEED (r.p.m.) | ---- | | 450 | |

DIMENSIONS

| | | | |
|----------------------------|-------------------|--|-----------------|
| INDOOR UNIT H x W x D (mm) | 270 x 1,150 x 285 | | |
| OUTDOOR UNIT | 650 x 830 x 320 | | 900 x 900 x 350 |

WEIGHT

| | | | | |
|------------------------------|---------|---------|---------|---------|
| INDOOR UNIT GROSS / NET (kg) | 22 / 16 | | | |
| OUTDOOR UNIT | 55 / 51 | 51 / 47 | 62 / 58 | 85 / 73 |

REFRIGERANT CHARGE (R410A)

| PIPE LENGTH | | 7.5 m (25 ft) | 10 m (33 ft) | 15 m (49 ft) | 20 m (66 ft) | 25 m (82 ft) | 30 m (98 ft) | Additional refrigerant |
|--------------------|-----------|------------------|------------------|------------------|------------------|------------------|------------------|---------------------------------------|
| FULL CHARGE AMOUNT | AWY18FBAJ | 1,450 g (51.1oz) | 1,500 g (54.6oz) | 1,600 g (56.4oz) | 1,700 g (60.0oz) | - | - | 20g (0.71oz) / 1m (3.3ft) (over 7.5m) |
| | AWY18FBBJ | 900 g (31.8oz) | 950 g (33.5oz) | 1,050 g (37.0oz) | 1,150 g (40.6oz) | - | - | |
| | AWY24FBBJ | 1,550 g (54.7oz) | 1,600 g (56.4oz) | 1,700 g (60.0oz) | 1,800 g (63.5oz) | - | - | |
| | AWY30FBBJ | 2,300 g (81.1oz) | 2,350 g (82.9oz) | 2,450 g (86.4oz) | 2,550 g (89.9oz) | 2,650 g (93.5oz) | 2,750 g (97.0oz) | |

| TYPE | | Cool and Heat | | | |
|------------------|------|---------------|------------|------------|------------|
| INDOOR UNIT | | AWY18UBAJ | AWY18UBBJ | AWY24UBBJ | AWY30UBBJ |
| OUTDOOR UNIT | | AOY18UNAKL | AOY18UNBKL | AOY24UNBKL | AOY30UNBDL |
| COOLING CAPACITY | (kW) | 5.40 | | 6.80 | 7.90 |
| HEATING CAPACITY | (kW) | 5.70 | | 7.40 | 8.40 |

ELECTRICAL DATA

| | | | | | |
|------------------------|----------------------|------|------|------|------|
| POWER SOURCE | (V) | 230 | | | |
| FREQUENCY | (Hz) | 50 | | | |
| RUNNING CURRENT (Cool) | (A) | 7.3 | 8.3 | 10.6 | 13.0 |
| RUNNING CURRENT (Heat) | (A) | 7.0 | 8.3 | 10.5 | 13.0 |
| INPUT WATTS (Cool) | (kW) | 1.66 | 1.85 | 2.40 | 2.75 |
| INPUT WATTS (Heat) | (kW) | 1.58 | 1.85 | 2.40 | 2.75 |
| E.E.R. (Cool) | (kW/kW) | 3.25 | 2.92 | 2.83 | 2.87 |
| E.E.R. (Heat) | (kW/kW) | 3.61 | 3.08 | 3.08 | 3.05 |
| MOISTURE REMOVAL | (ℓ /hr) | 2.0 | | 2.5 | 3.0 |
| AIR CIRCULATION-HI | (m ³ /hr) | 900 | 900 | 900 | 950 |

COMPRESSOR

| | | | | | |
|-------------|---|-----------|-----------|-----------|-----------|
| TYPE | Hermetic type, Deposit electrode condenser, 2 poles. Single phase, Induction motor, Rotary | | | | |
| CODE | | 5KS205DAB | 5KS225DAC | 5JS290DAA | 5JS315DAD |
| REFRIGERANT | R410A (g) | 1,550 | 1,550 | 1,700 | 2,300 |

FAN MOTOR

| | | | | | |
|--------------|--------------------|------------|-------|-------|-----------|
| POWER SOURCE | (V) | 230 | | | |
| INDOOR UNIT | TYPE | MFD-30HO | | | |
| | HI-SPEED (r.p.m.) | 1,300 | 1,150 | 1,300 | 1,380 |
| | MED-SPEED (r.p.m.) | 1,120 | 1,030 | 1,160 | 1,280 |
| | LO-SPEED (r.p.m.) | 930 | | 1,020 | 1,180 |
| OUTDOOR UNIT | TYPE | MFB-24JTBT | | | MFB-30DFT |
| | HI- SPEED (r.p.m.) | 780 | | | 730 |
| | LO-SPEED (r.p.m.) | 380 | | | 450 |

DIMENSIONS

| | | | | |
|--------------|----------------|-------------------|--|-----------------|
| INDOOR UNIT | H x W x D (mm) | 270 x 1,150 x 285 | | |
| OUTDOOR UNIT | H x W x D (mm) | 650 x 830 x 320 | | 900 x 900 x 350 |

WEIGHT

| | | | | |
|--------------|------------------|---------|---------|---------|
| INDOOR UNIT | GROSS / NET (kg) | 22 / 16 | | |
| OUTDOOR UNIT | GROSS / NET (kg) | 56 / 52 | 63 / 59 | 86 / 74 |

REFRIGERANT CHARGE (R410A)

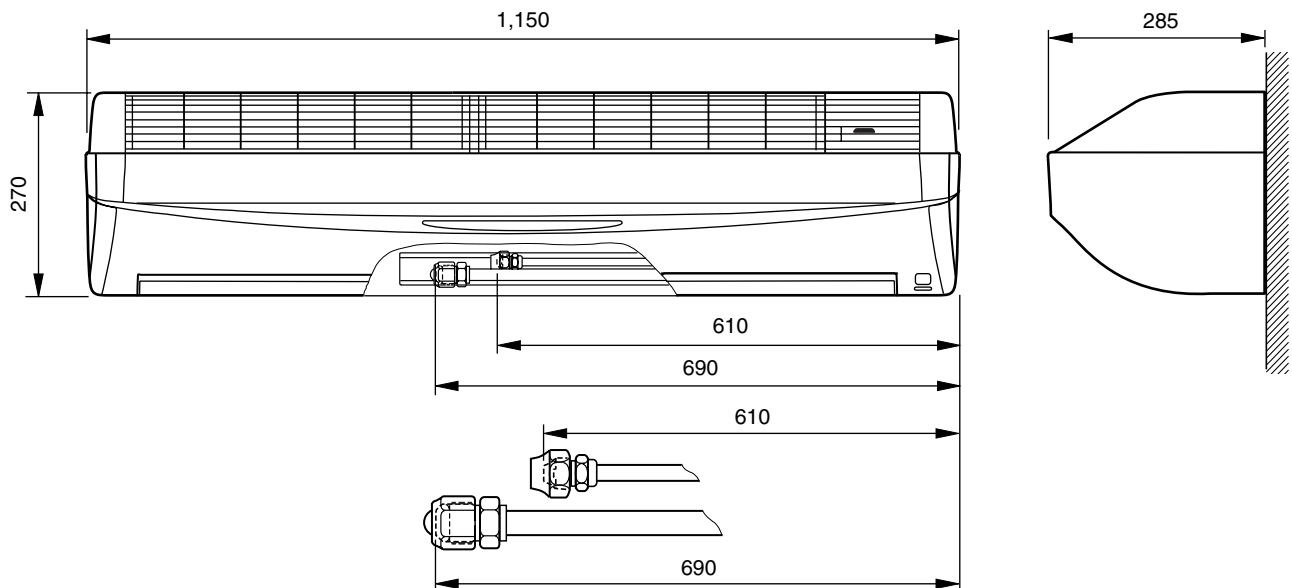
| PIPE LENGTH | | 7.5 m (25 ft) | 10 m (33 ft) | 15 m (49 ft) | 20 m (66 ft) | 25 m (82 ft) | Additional refrigerant |
|-----------------------|-----------|---------------------|---------------------|---------------------|---------------------|---------------------|--|
| FULL CHARGE AMOUNT | AWY18UBAJ | 1,450 g (51.1oz) | 1,500 g (54.6oz) | 1,600 g (56.4oz) | 1,700 g (60.0oz) | - | 20g (0.71oz) / 1m(3.3ft) (over 7.5m) |
| | AWY18UBBJ | 900 g (31.8oz) | 950 g (33.5oz) | 1,050 g (37.0oz) | 1,150 g (40.6oz) | - | |
| | AWY24UBBJ | 1,550 g (54.7oz) | 1,600 g (56.4oz) | 1,700 g (60.0oz) | 1,800 g (63.5oz) | - | 40g (1.42oz) / 1m(3.3ft) (over 7.5m) |
| | AWY30UBBJ | 2,300 g (81.1oz) | 2,350 g (82.9oz) | 2,450 g (86.4oz) | 2,550 g (89.9oz) | 2,650 g (93.5oz) | |

OUTLINE AND DIMENSIONS

Unit : mm

INDOOR UNIT

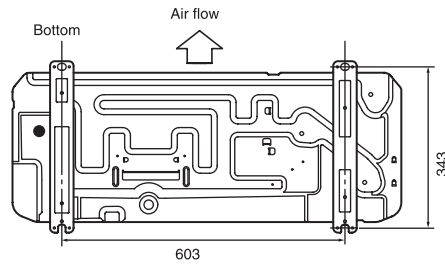
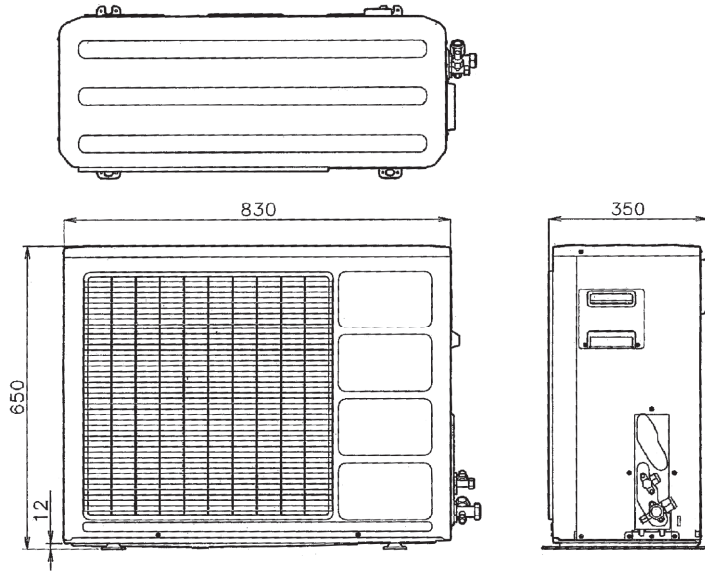
Models : AWY18FBAJ
AWY18FBBJ
AWY18UBAJ
AWY18UBBJ
AWY24FBBJ
AWY24UBBJ
AWY30FBBJ
AWY30UBBJ



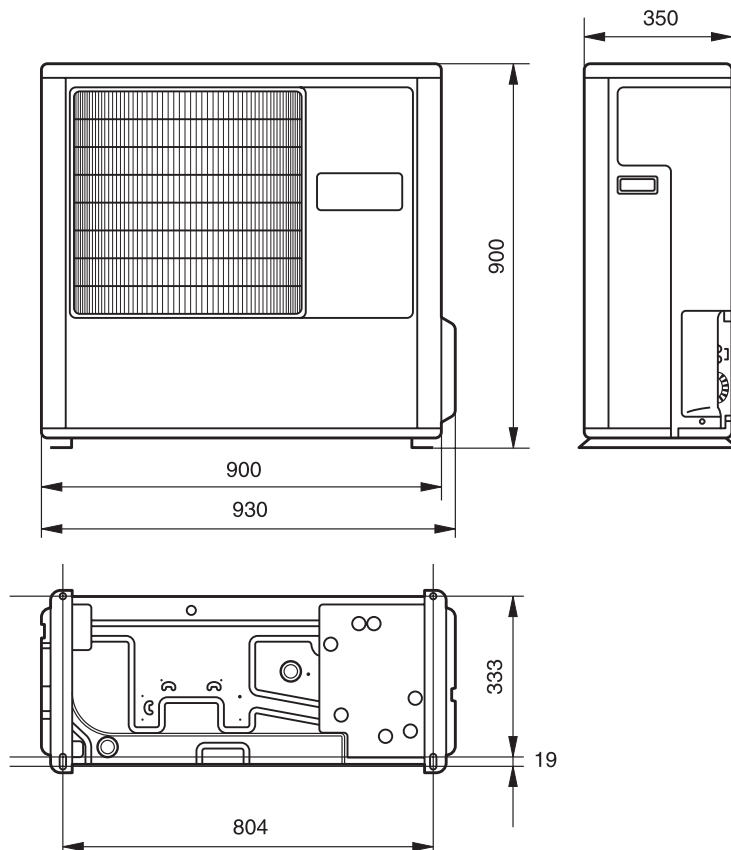
OUTDOOR UNIT

Unit : mm

Models : AOY18FNAK
AOY18FNBK
AOY18UNAKL
AOY18UNBKL
AOY24FNBK
AOY24UNBKL

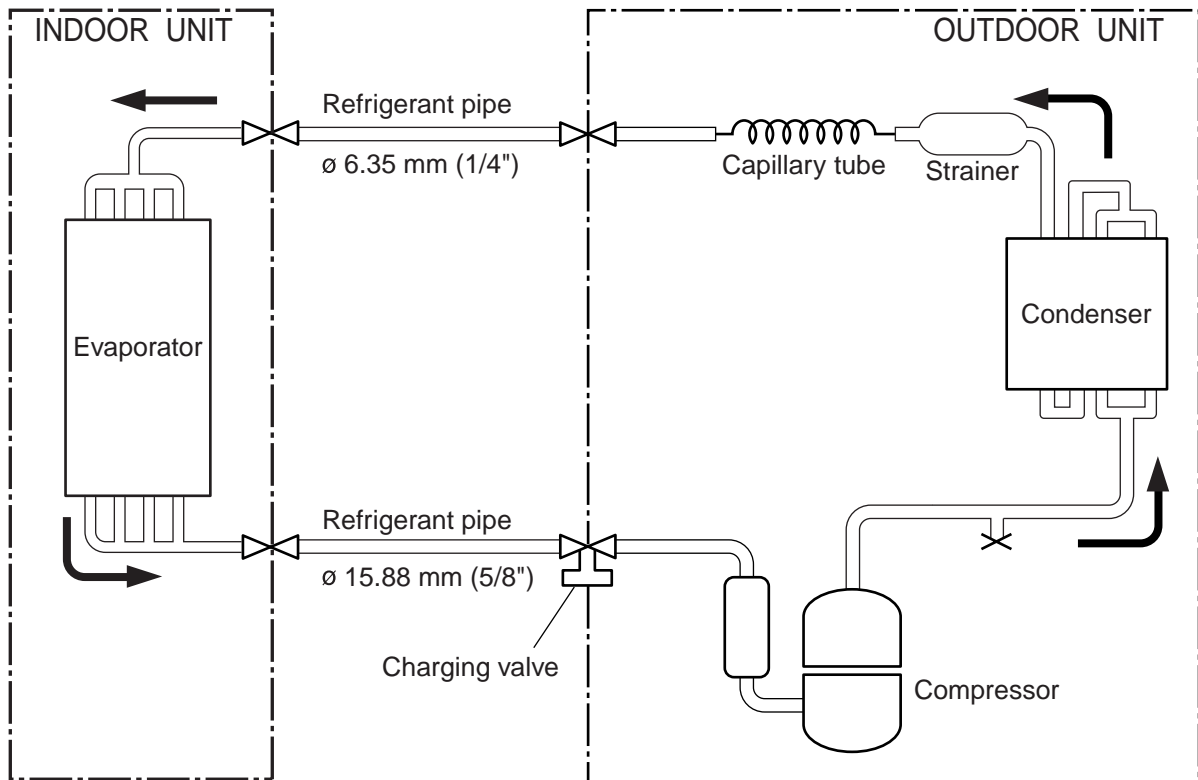


Models : AOY30FNBDL
AOY30UNBDL

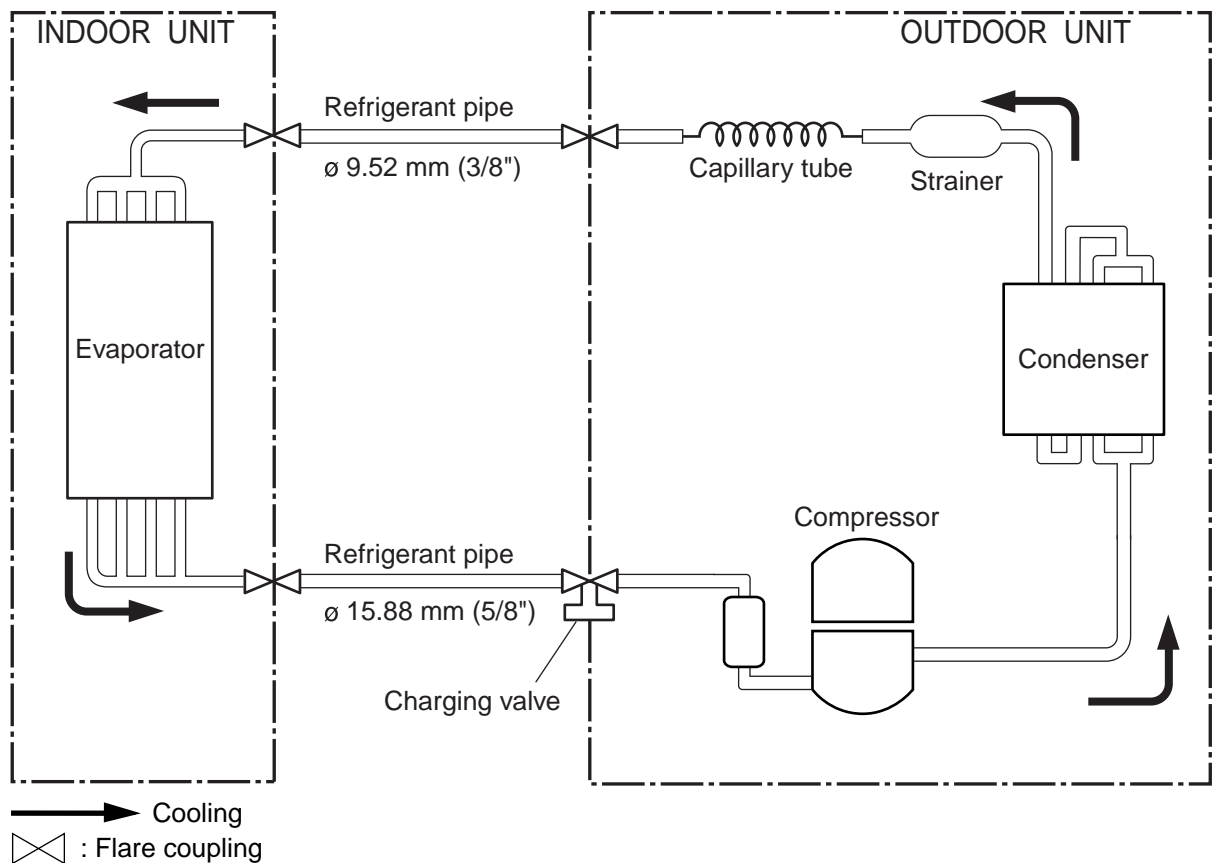


REFRIGERANT SYSTEM DIAGRAM

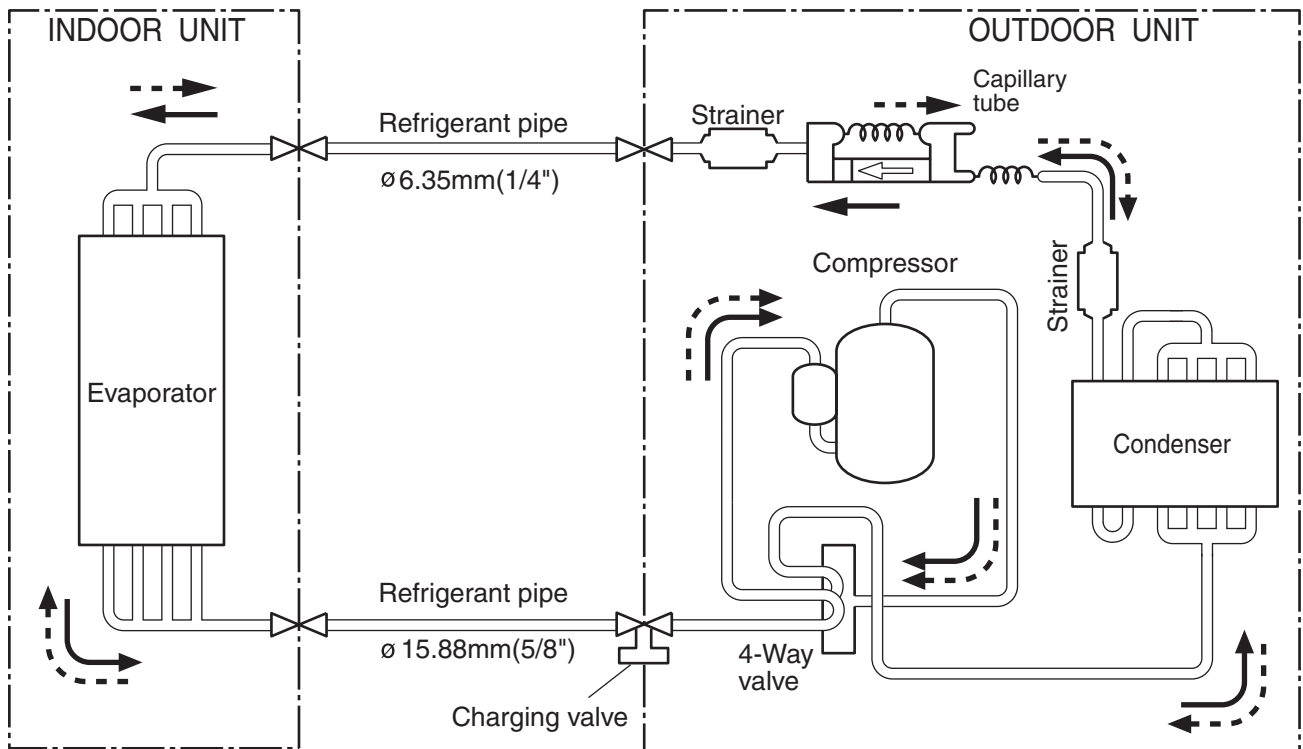
Models : AWY18FBAJ / AOY18FNAK
AWY18FBBJ / AOY18FNBK



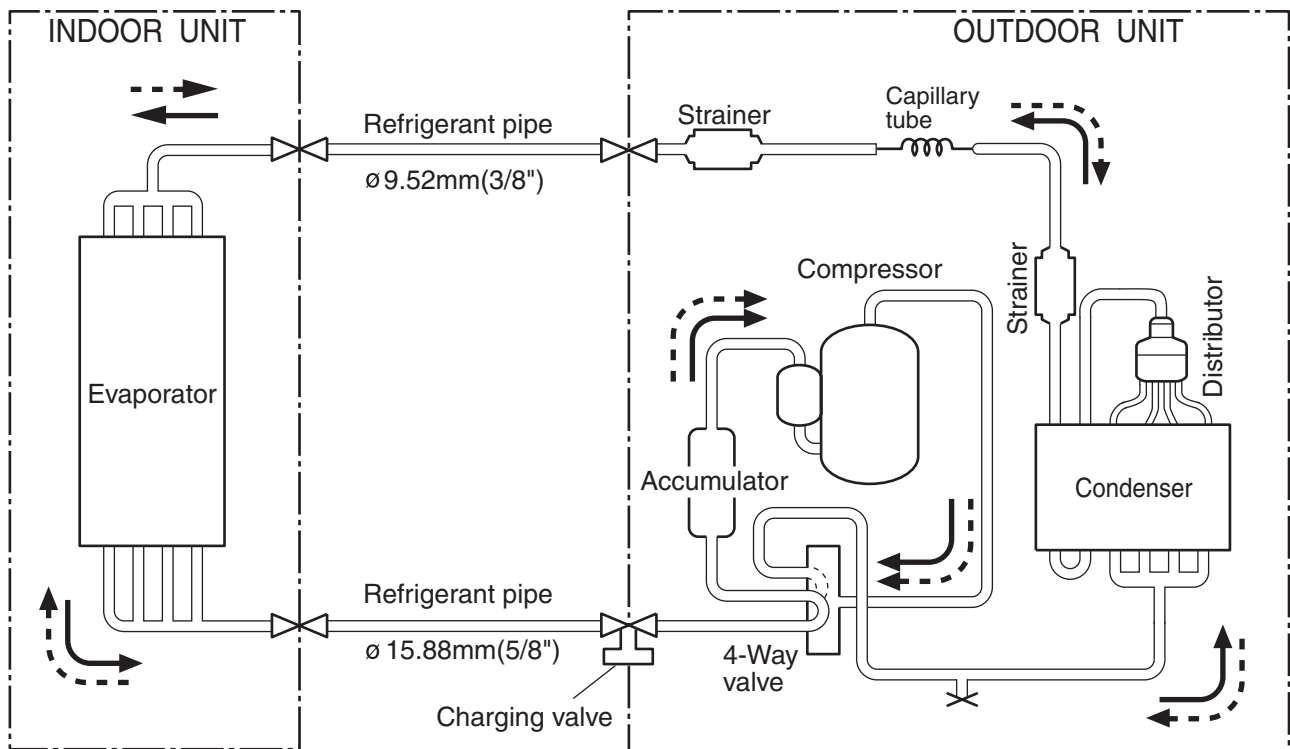
Models : AWY24FBBJ / AOY24FNBK



**Models : AWY18UBAJ / AOY18UNAKL
AWY18UBBJ / AOY18UNBKL**

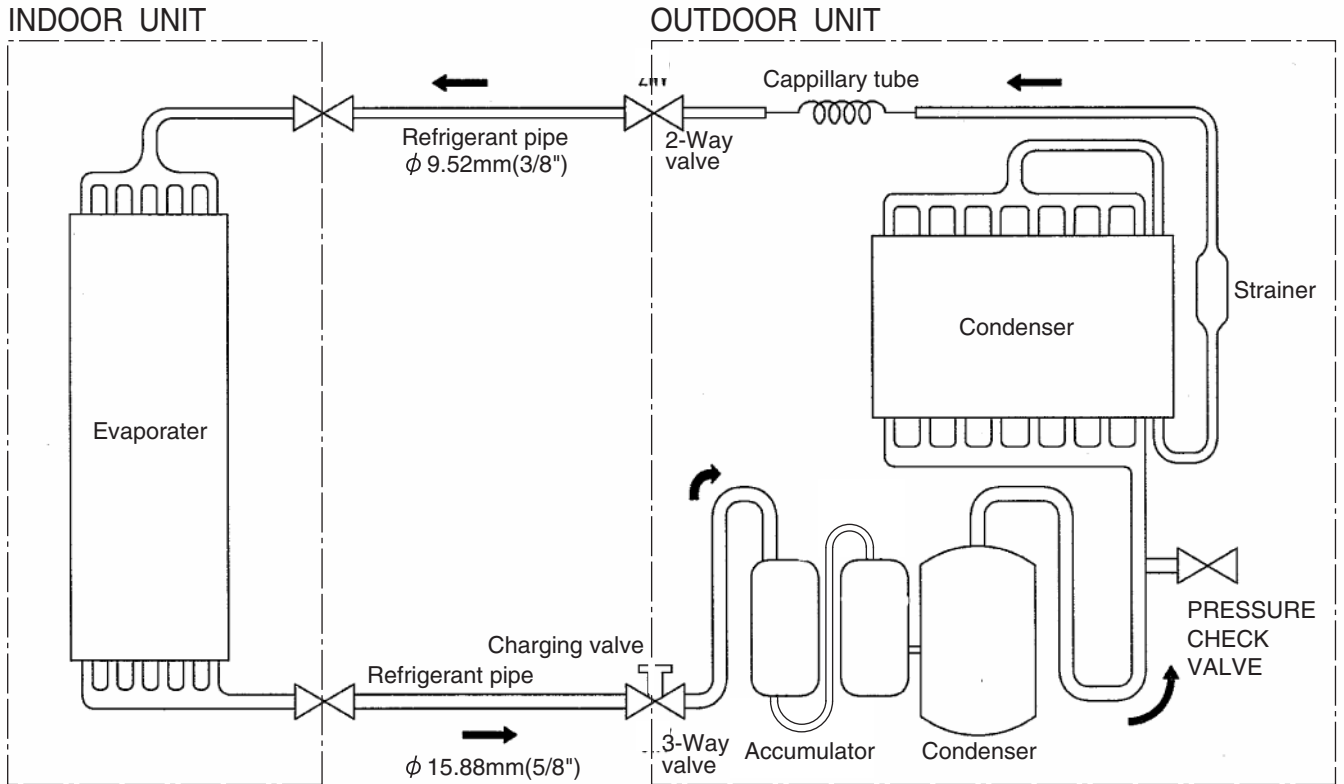


Models : AWY24UBBJ / AOY24UNBKL

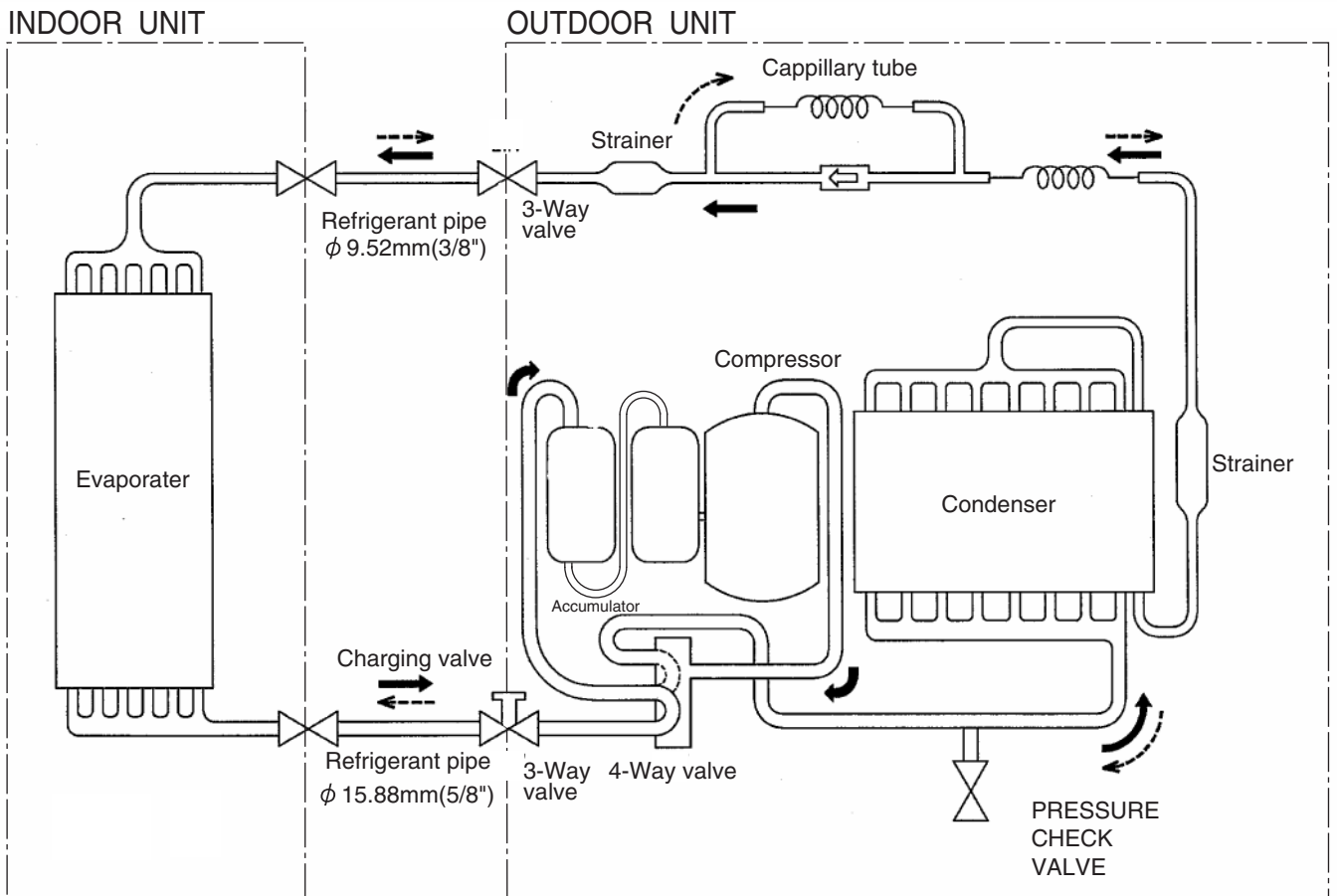


- Cooling
- - - -> Heating
- ⊗ : Flare coupling

Models : AWY30FBBJ / AOY30FNBDL



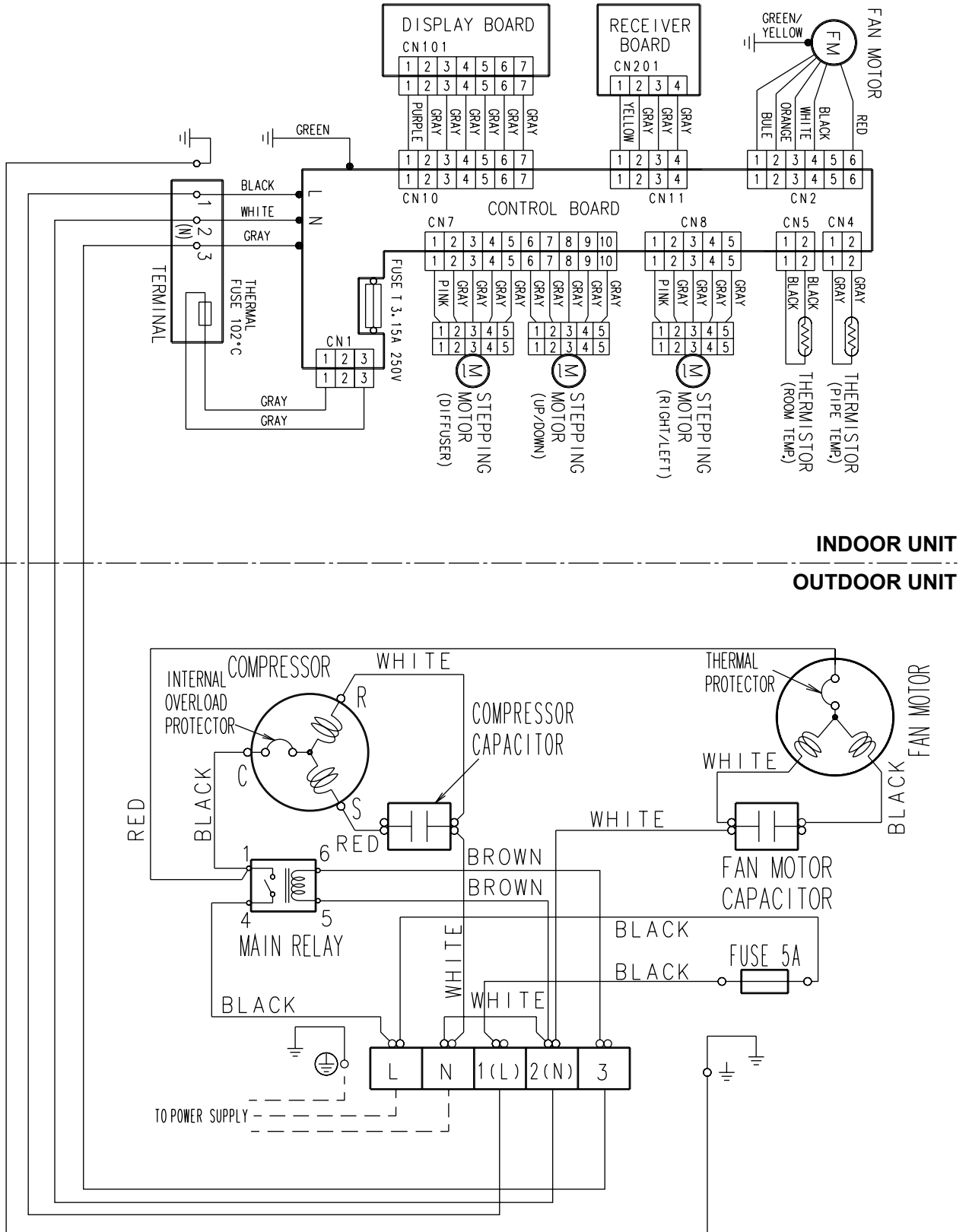
Models : AWY30UBBJ / AOY30UNBDL



- Cooling
- Heating

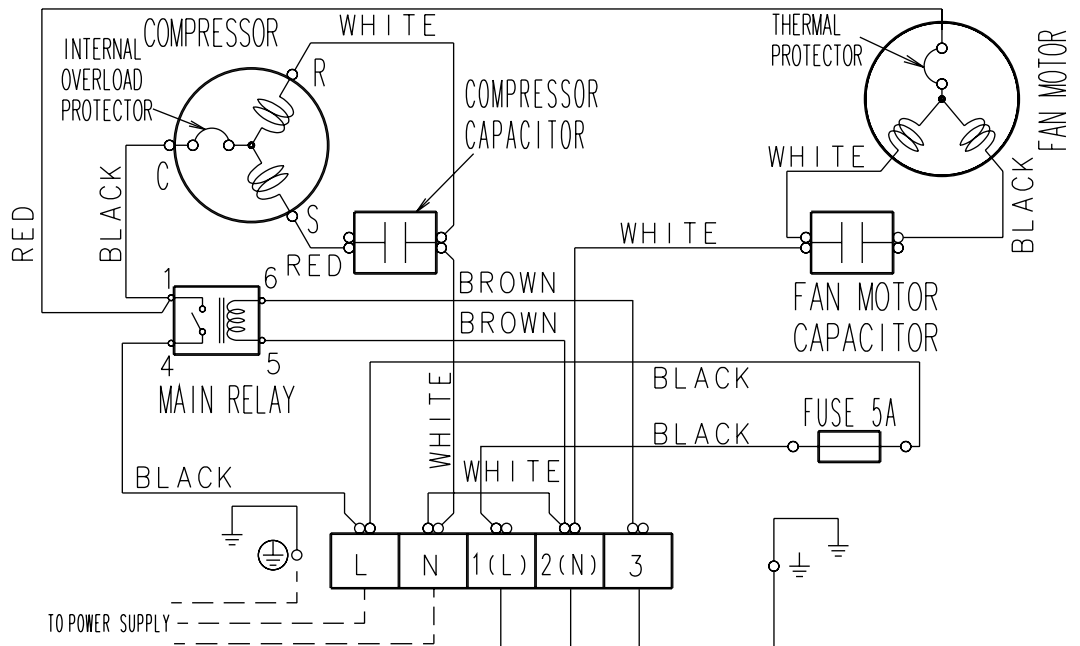
CIRCUIT DIAGRAM

Models : AWY18FBAJ / AOY18FNAK
 AWY18FBBJ / AOY18FNBK
 AWY24FBBJ / AOY24FNBK

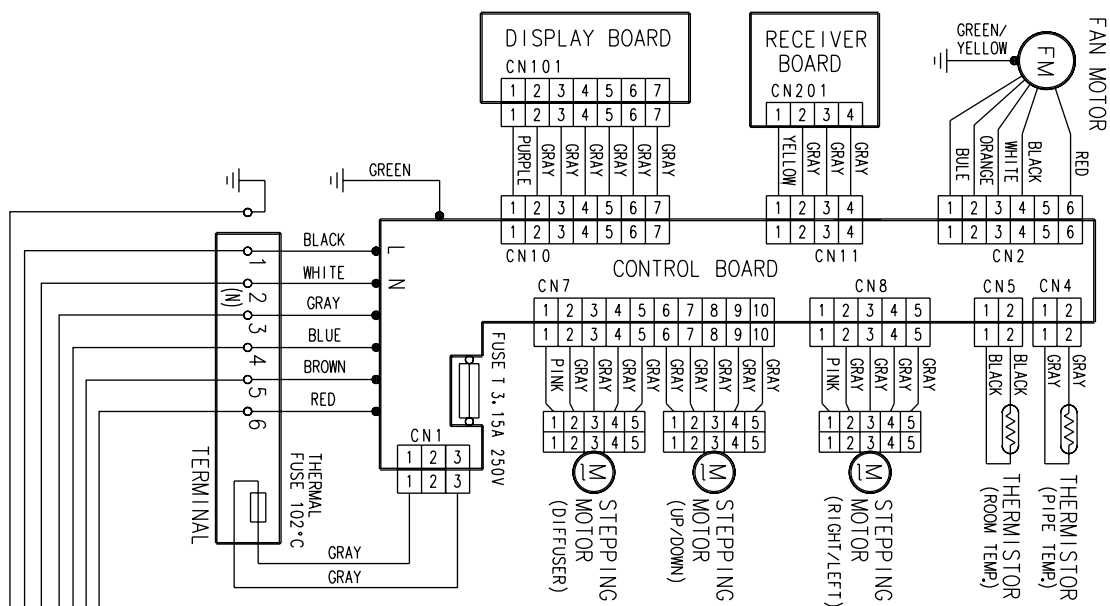


INDOOR UNIT

OUTDOOR UNIT

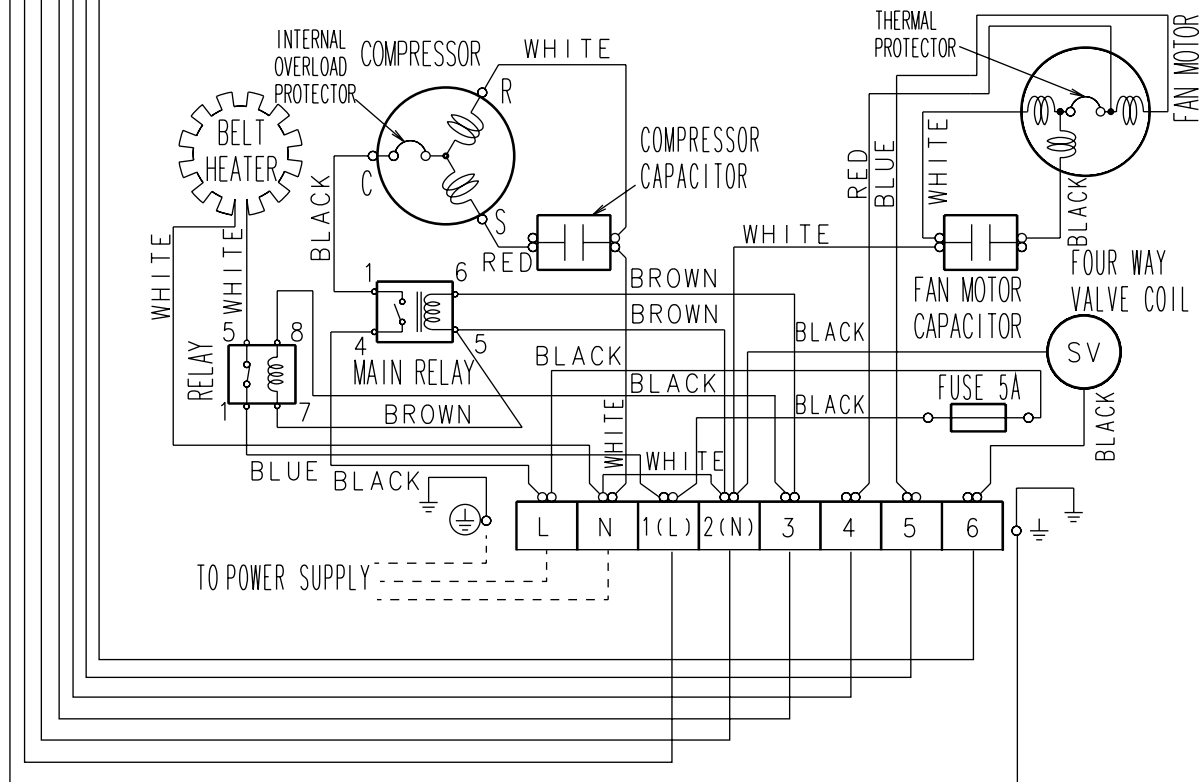


Models : AWY18UBAJ / AOY18UNAKL

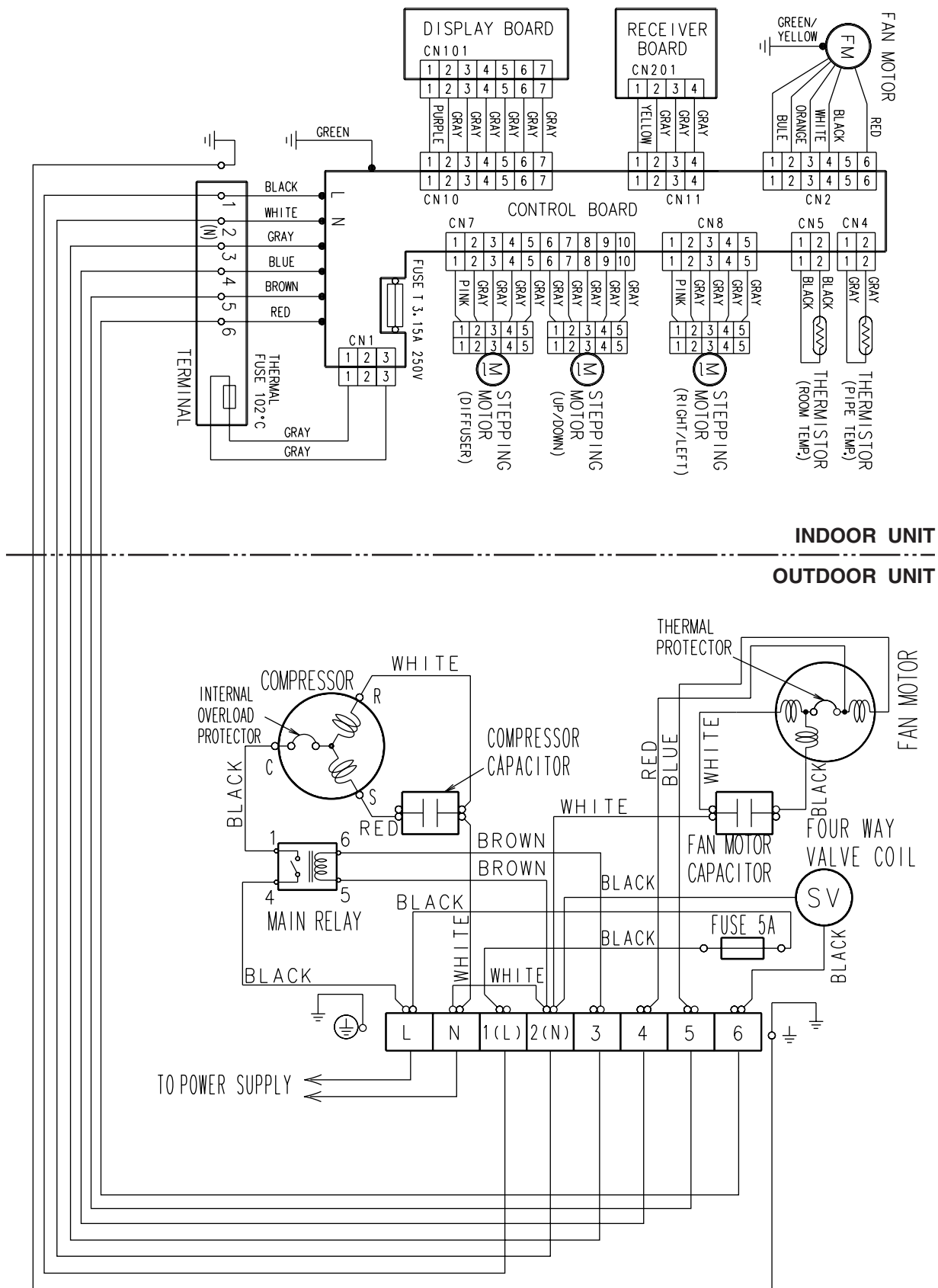


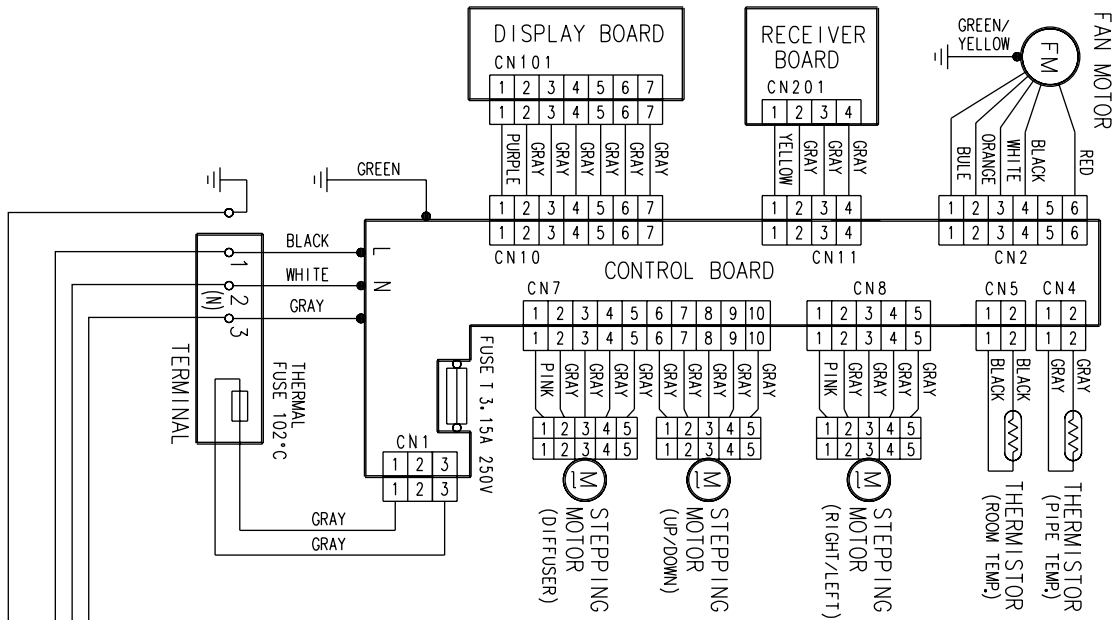
INDOOR UNIT

OUTDOOR UNIT

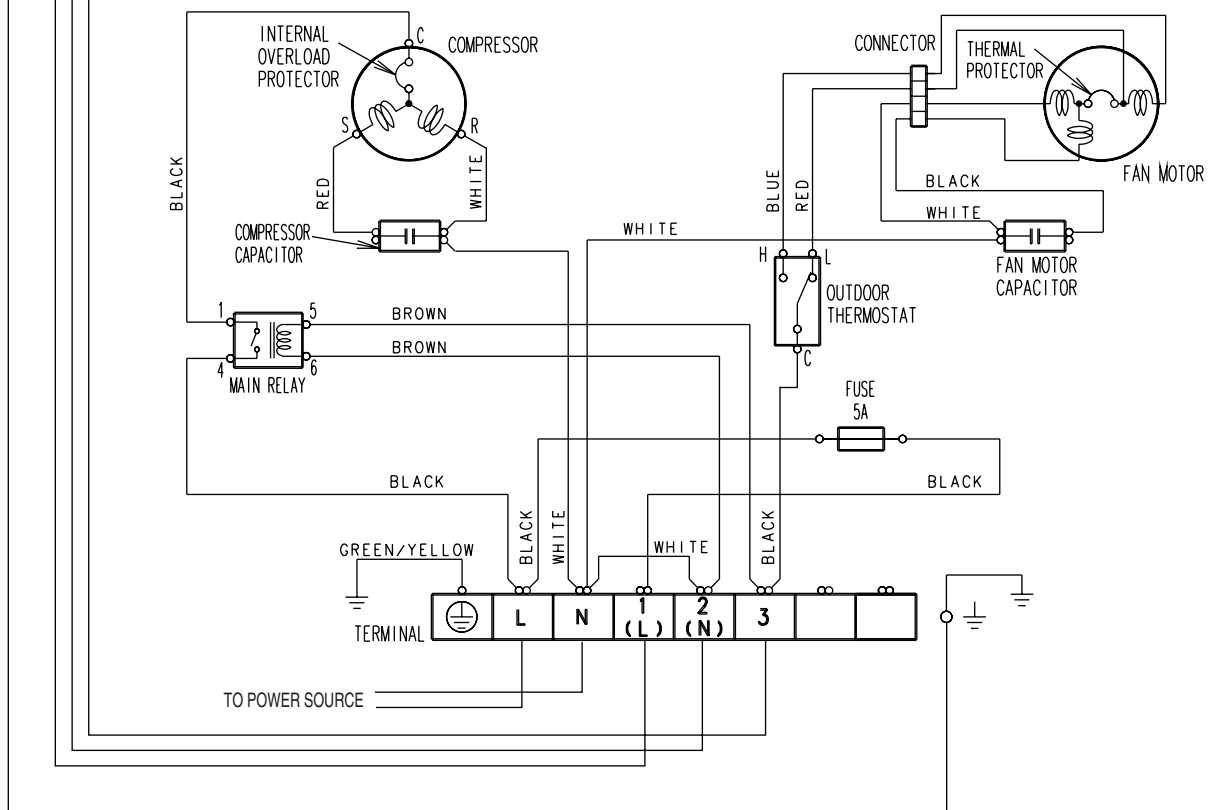


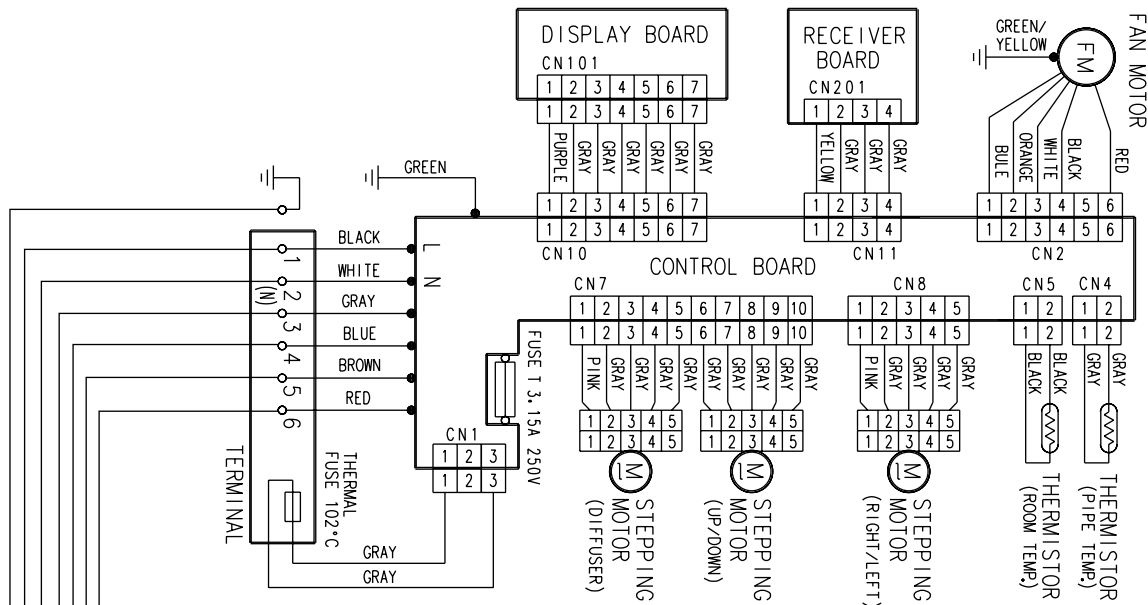
Models : AWY18UBBJ / AOY18UNBKL
AWY24UBBJ / AOY24UNBKL





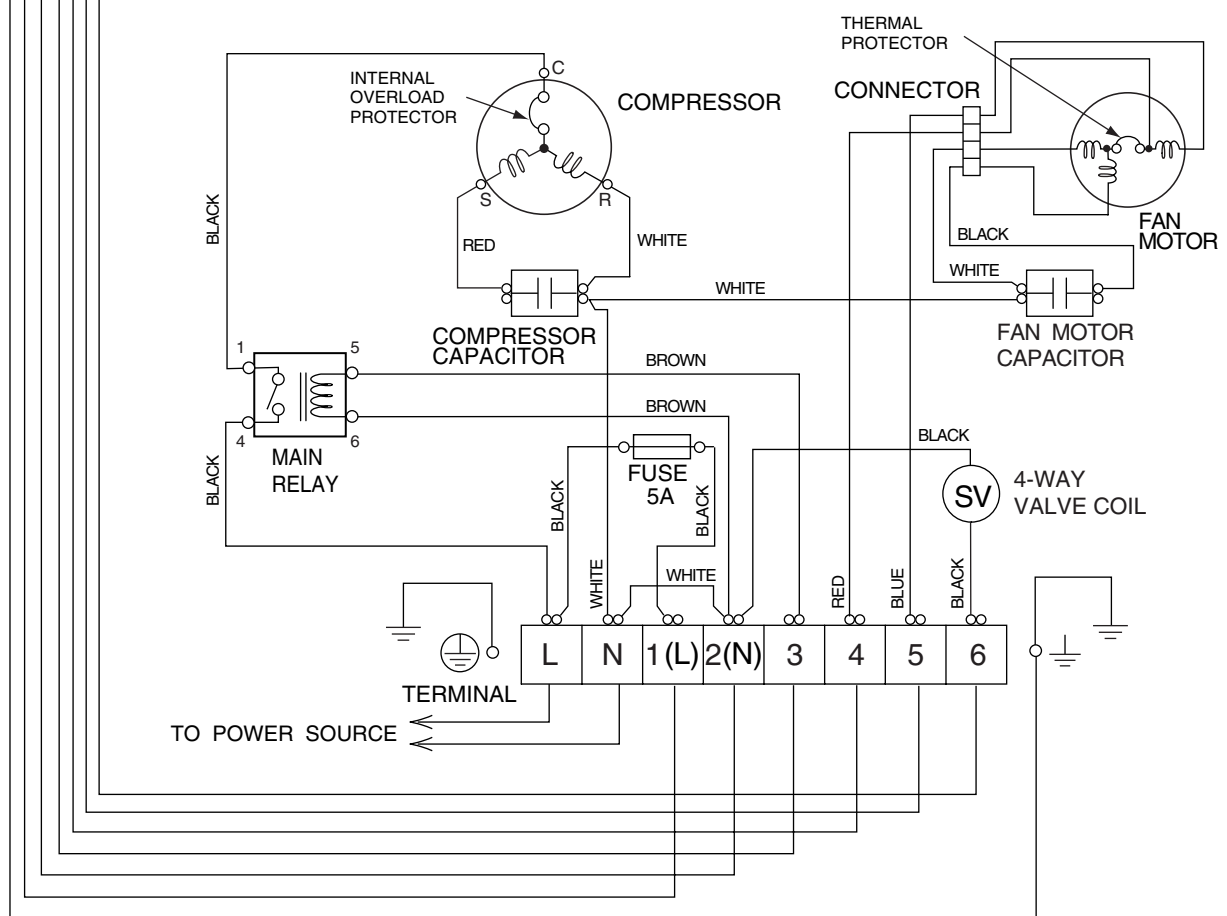
INDOOR UNIT
OUTDOOR UNIT





INDOOR UNIT

OUTDOOR UNIT



ERROR DISPLAY

The OPERATION, TIMER and SWING lamps operate as follows according to the error contents.

○ : Fast flashing ● : Slow flashing – : Off

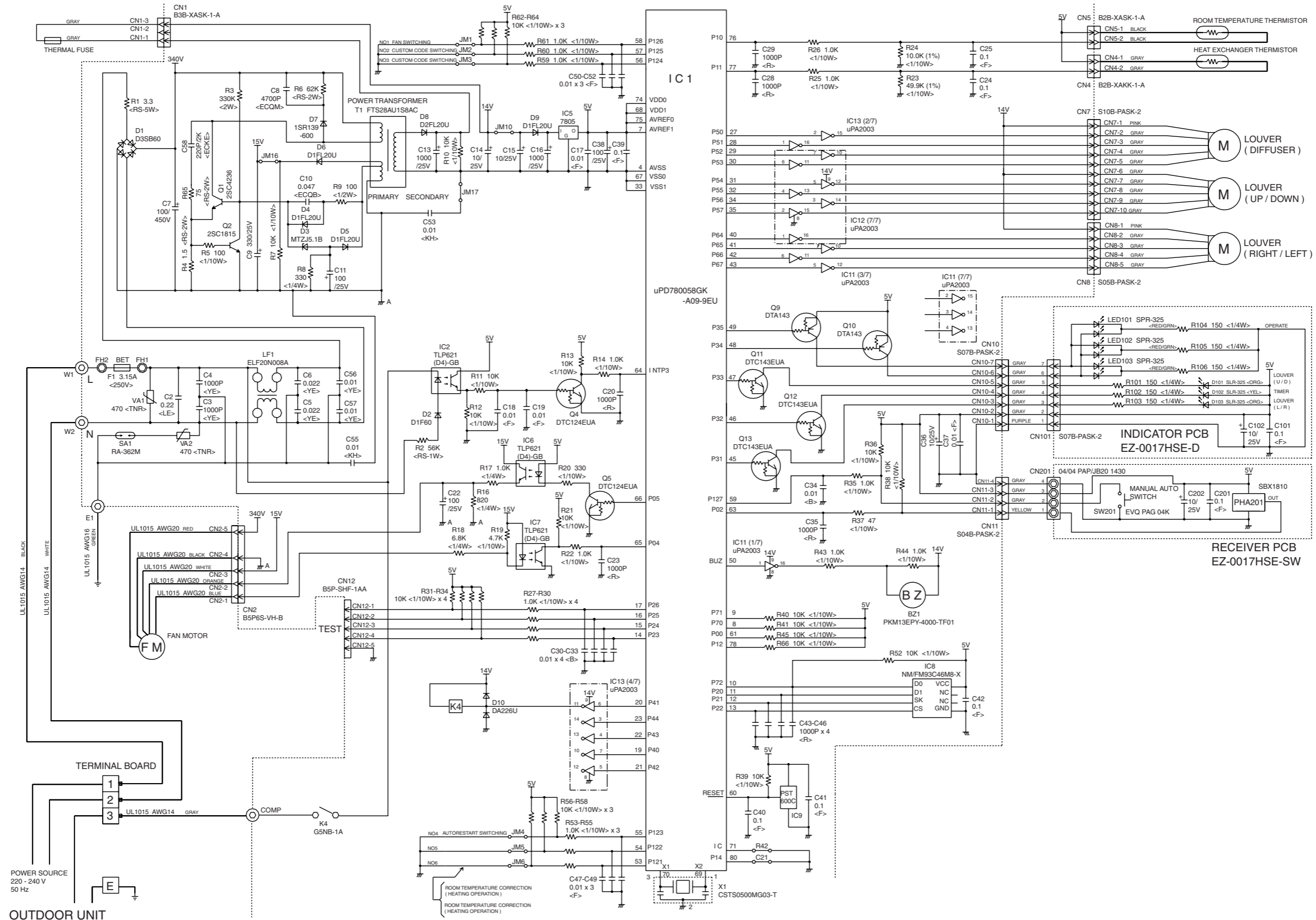
| Error contents | Error display | | |
|--|--------------------|-------------------|-------------------|
| | OPERATION (RED) | TIMER (YELLOW) | SWING (ORANGE) |
| Indoor unit circuit board error | ○ | ○ | – |
| Indoor unit room temperature sensor wire opened | 2 times ● | ○ | – |
| Indoor unit room temperature sensor wire short circuited | 2 times ● | ○ | ○ |
| Indoor unit piping sensor wire opened | 3 times ● | ○ | – |
| Indoor unit piping sensor wire short circuited | 3 times ● | ○ | ○ |
| Indoor unit fan error | 6 times ● | ○ | – |

INDOOR PRINTED CIRCUIT BOARD CIRCUIT DIAGRAM

Models : AWY18FBAJ
AWY18FBBJ
AWY24FBBJ
AWY30FBBJ

CONTROLLER PCB ASSEMBLY (MAIN PCB)

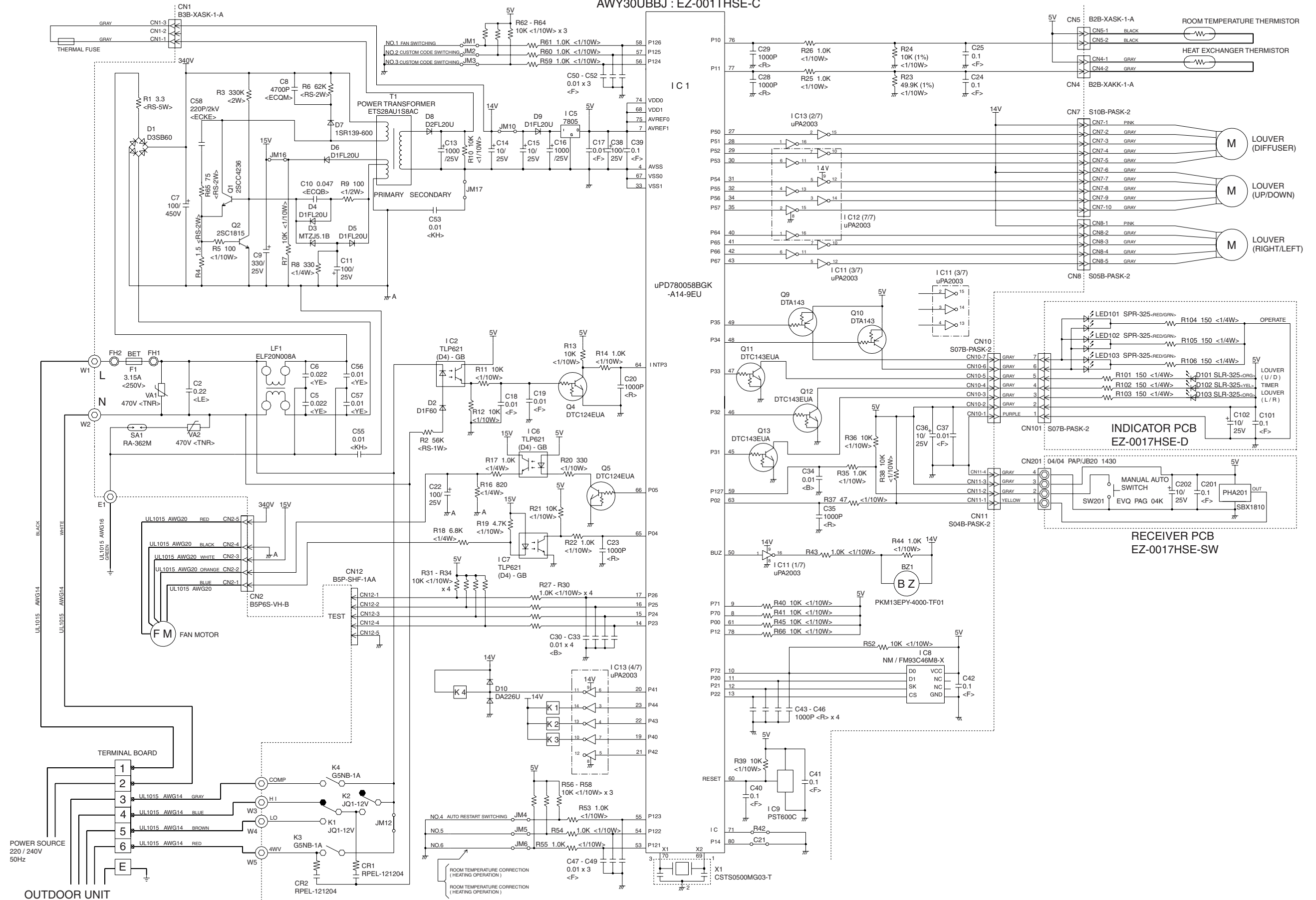
AWY18FBAJ : EZ-003LWSE-C
AWY18FBBJ : EZ-001EWSE-C
AWY24FBBJ : EZ-001DWSE-C
AWY30FBBJ : EZ-001KWSE-C



Models : AWY18UBAJ
 AWY18UBBJ
 AWY24UBBJ
 AWY30UBBJ

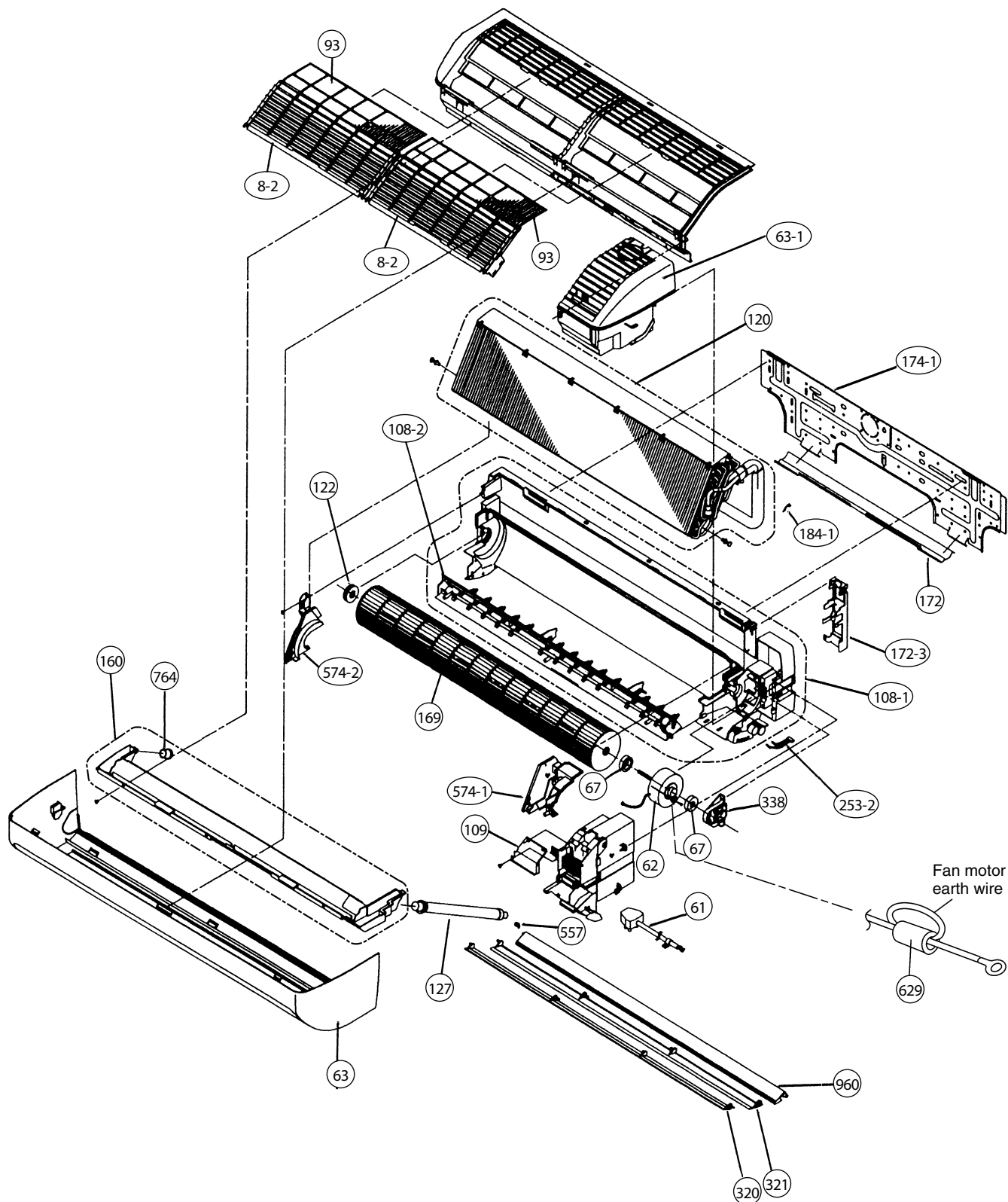
CONTROLLER PCB ASSEMBLY (MAIN PCB)

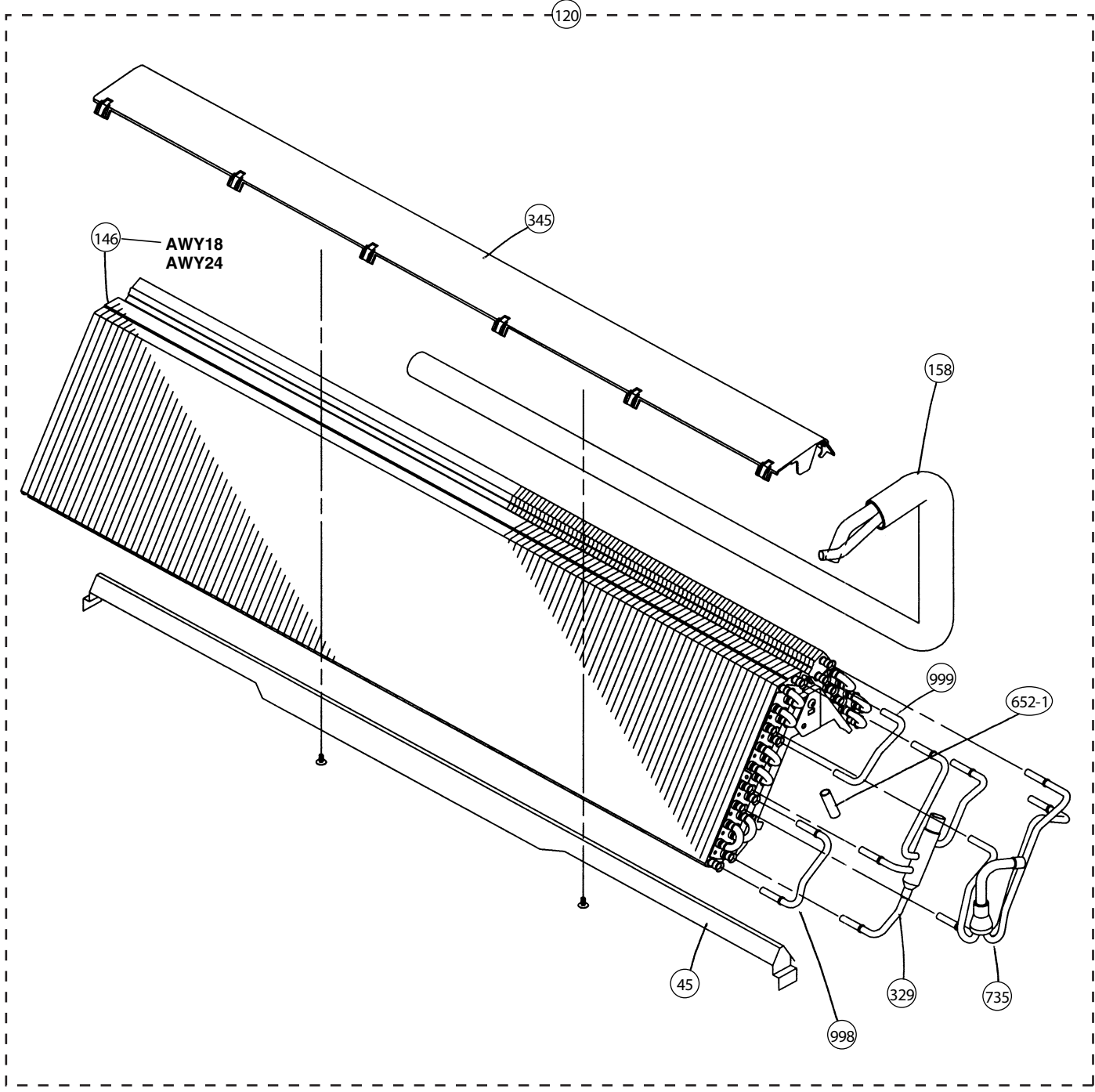
AWY18UBAJ : EZ-00304HSE-C
 AWY18UBBJ : EZ-003BHSE-C
 AWY24UBBJ : EZ-0017HSE-C
 AWY30UBBJ : EZ-001THSE-C



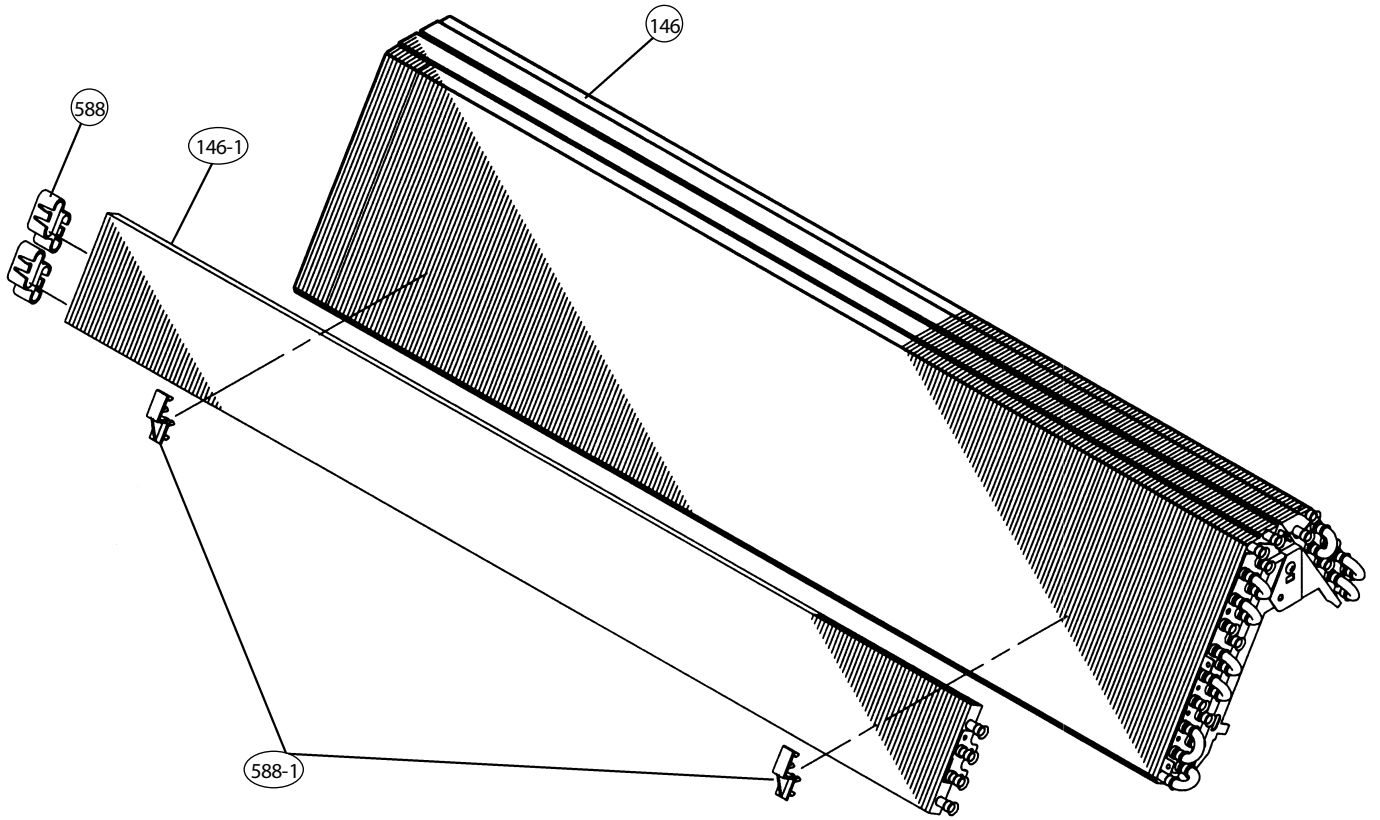
DISASSEMBLY ILLUSTRATION (Indoor unit)

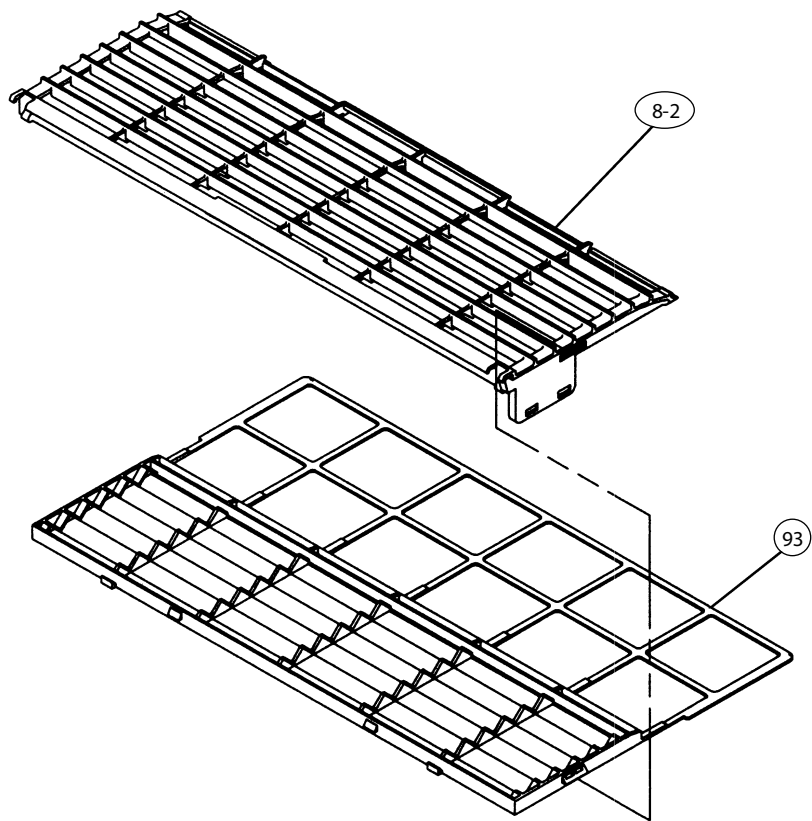
Models : AWY18FBAJ AWY18UBAJ
 AWY18FBBJ AWY18UBBJ
 AWY24FBBJ AWY24UBBJ
 AWY30FBBJ AWY30UBBJ

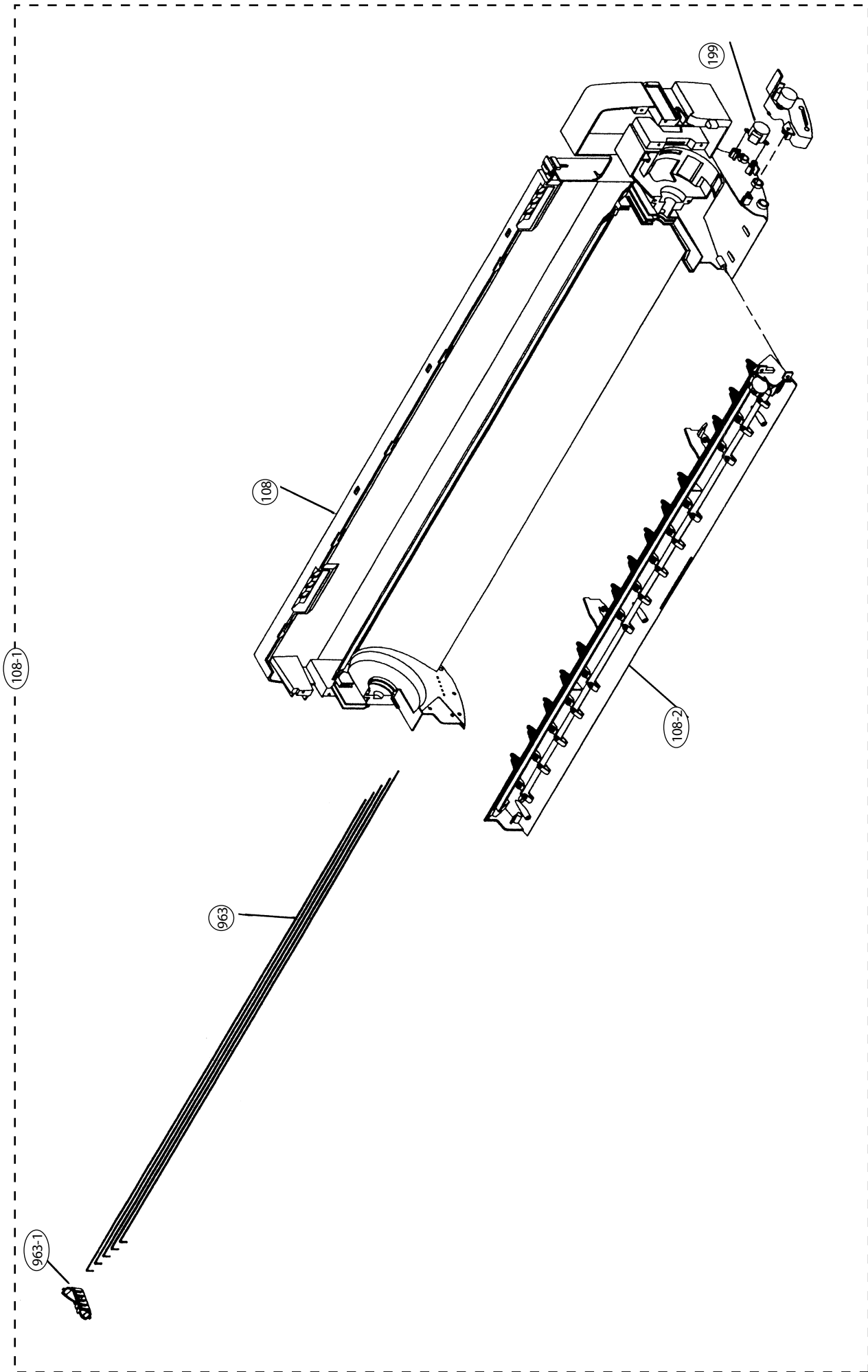


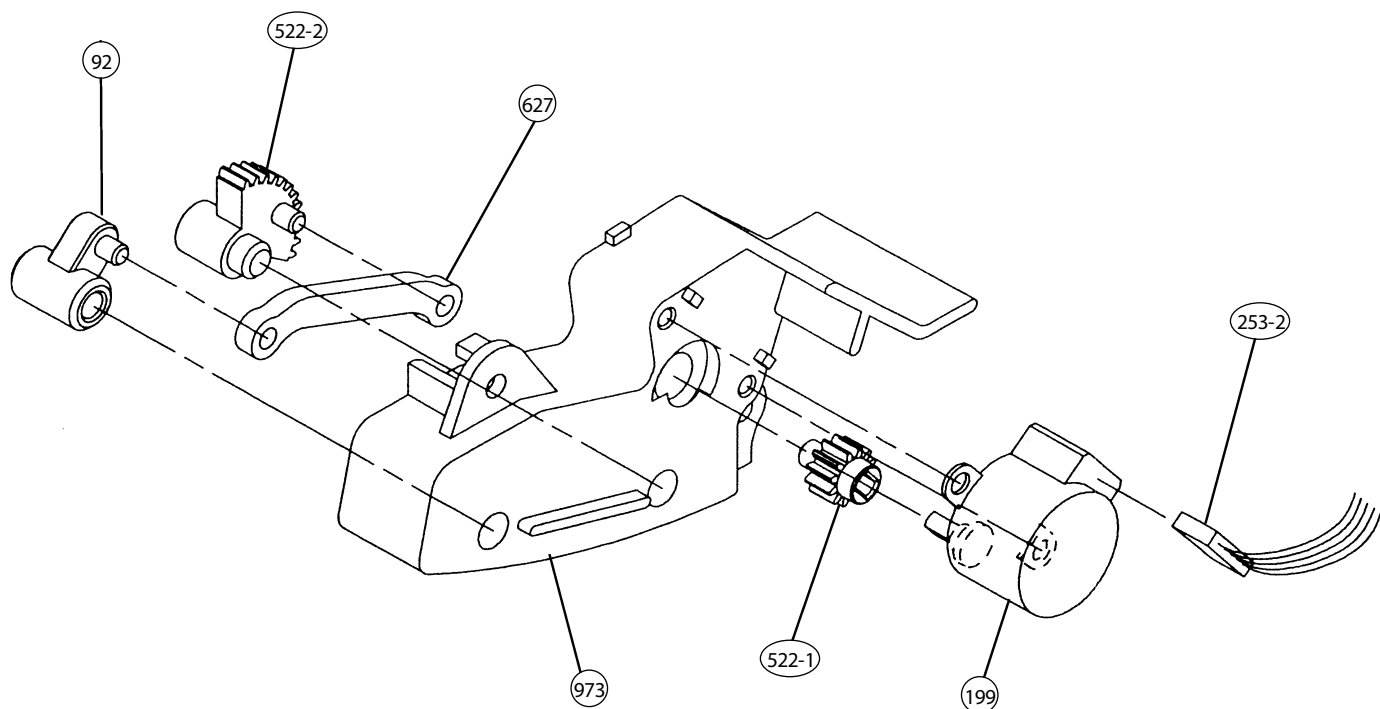


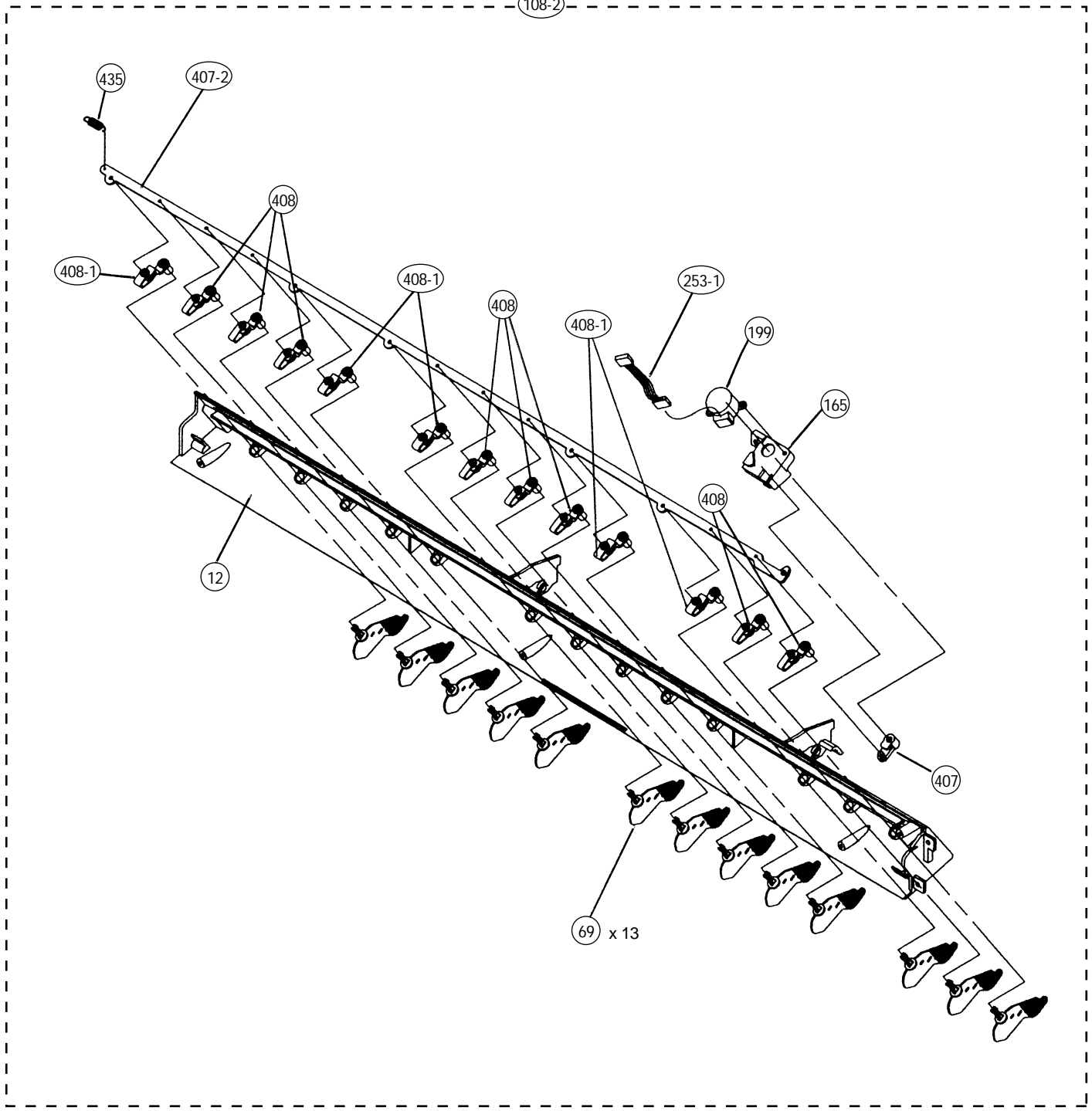
Models : AWY30FBBJ
AWY30UBBJ

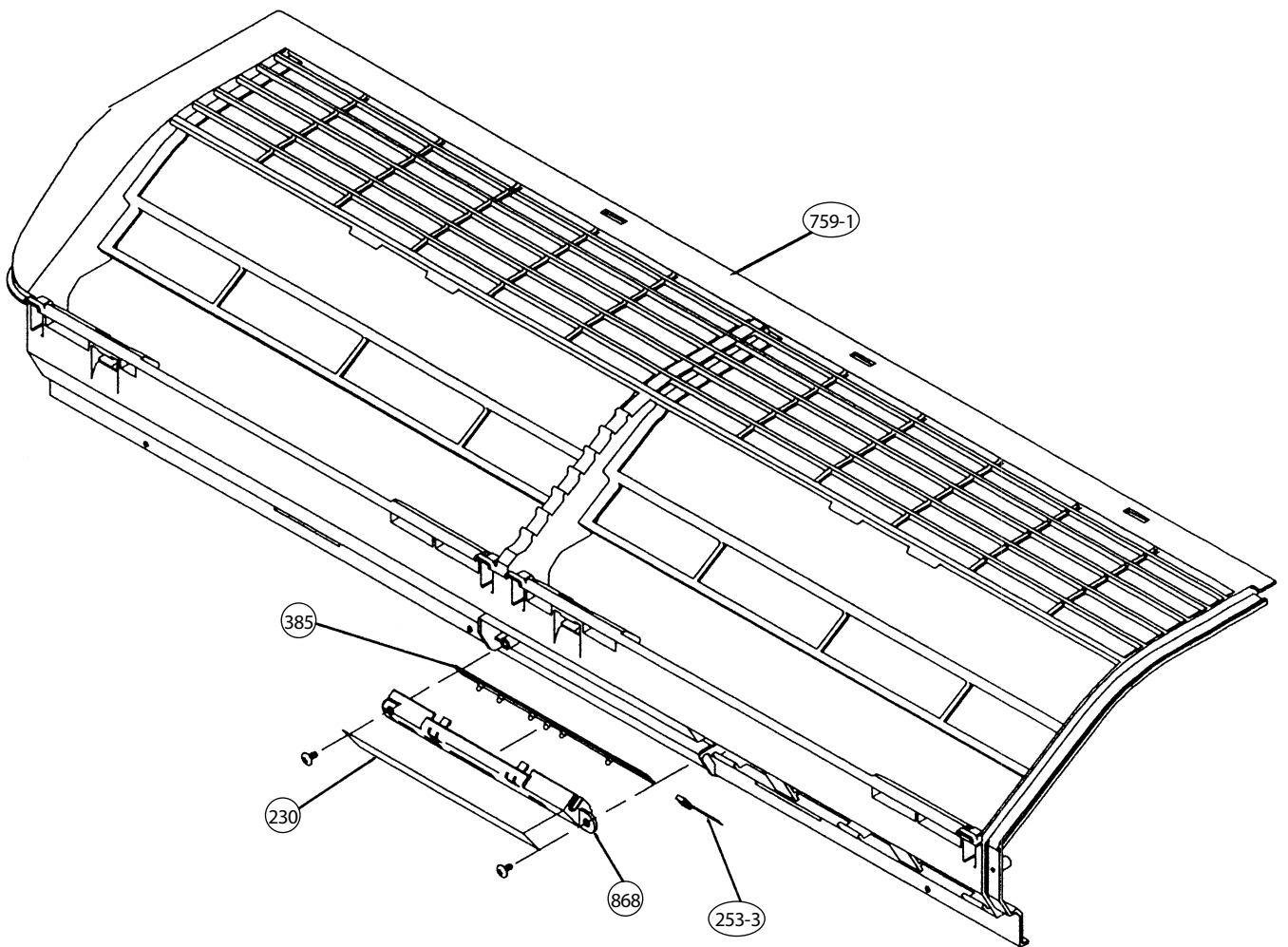


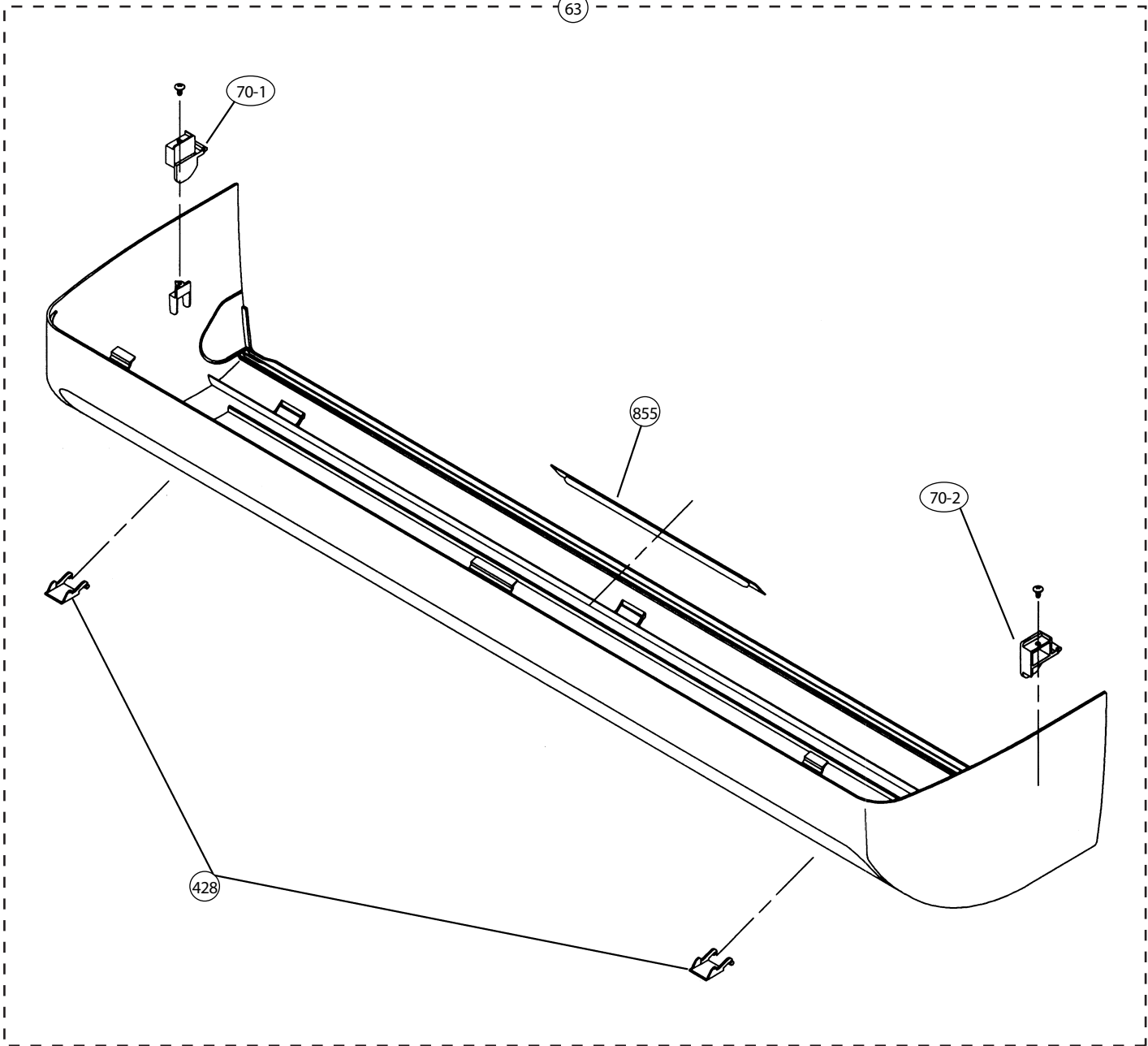


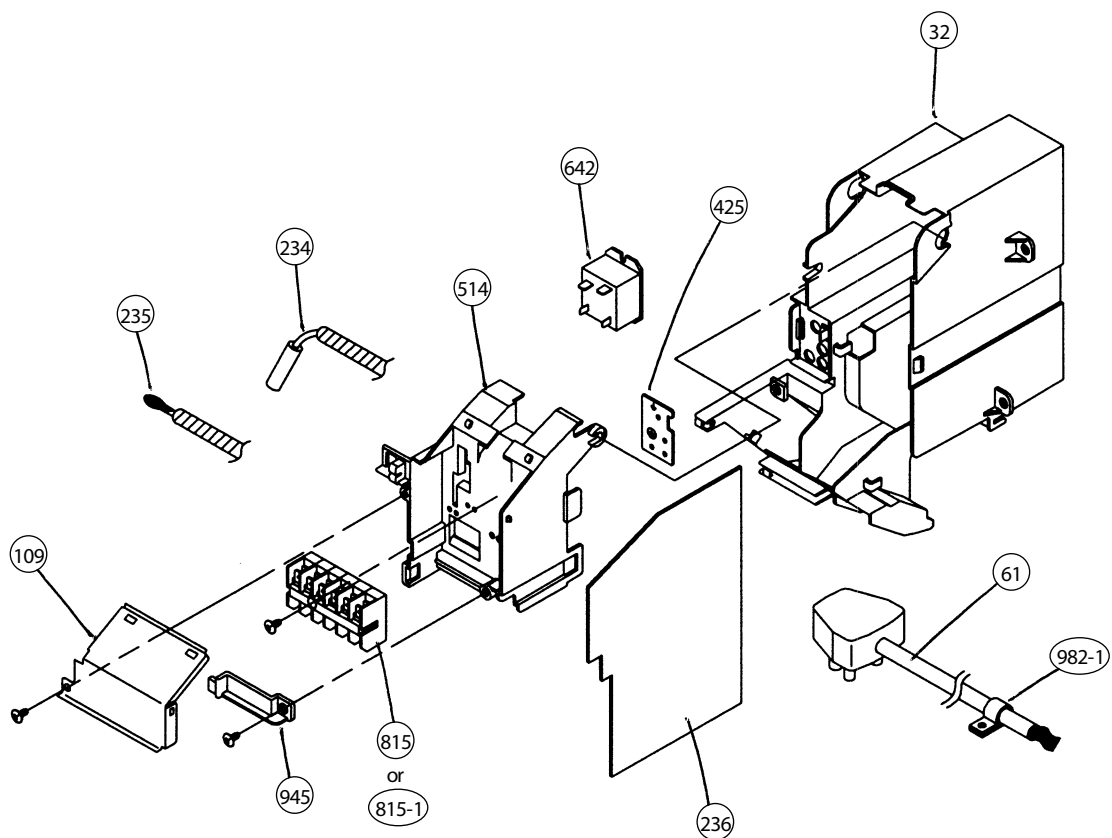






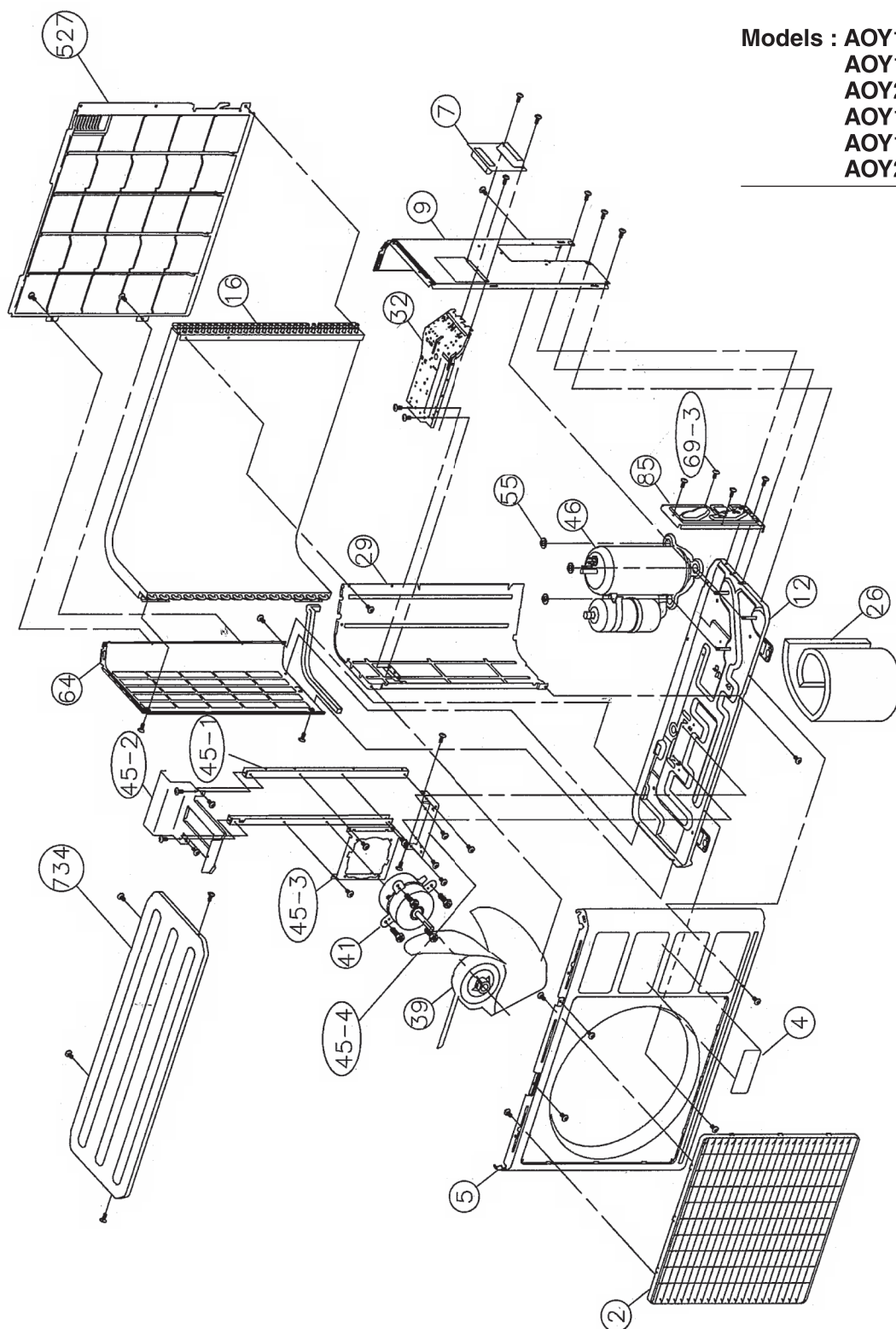




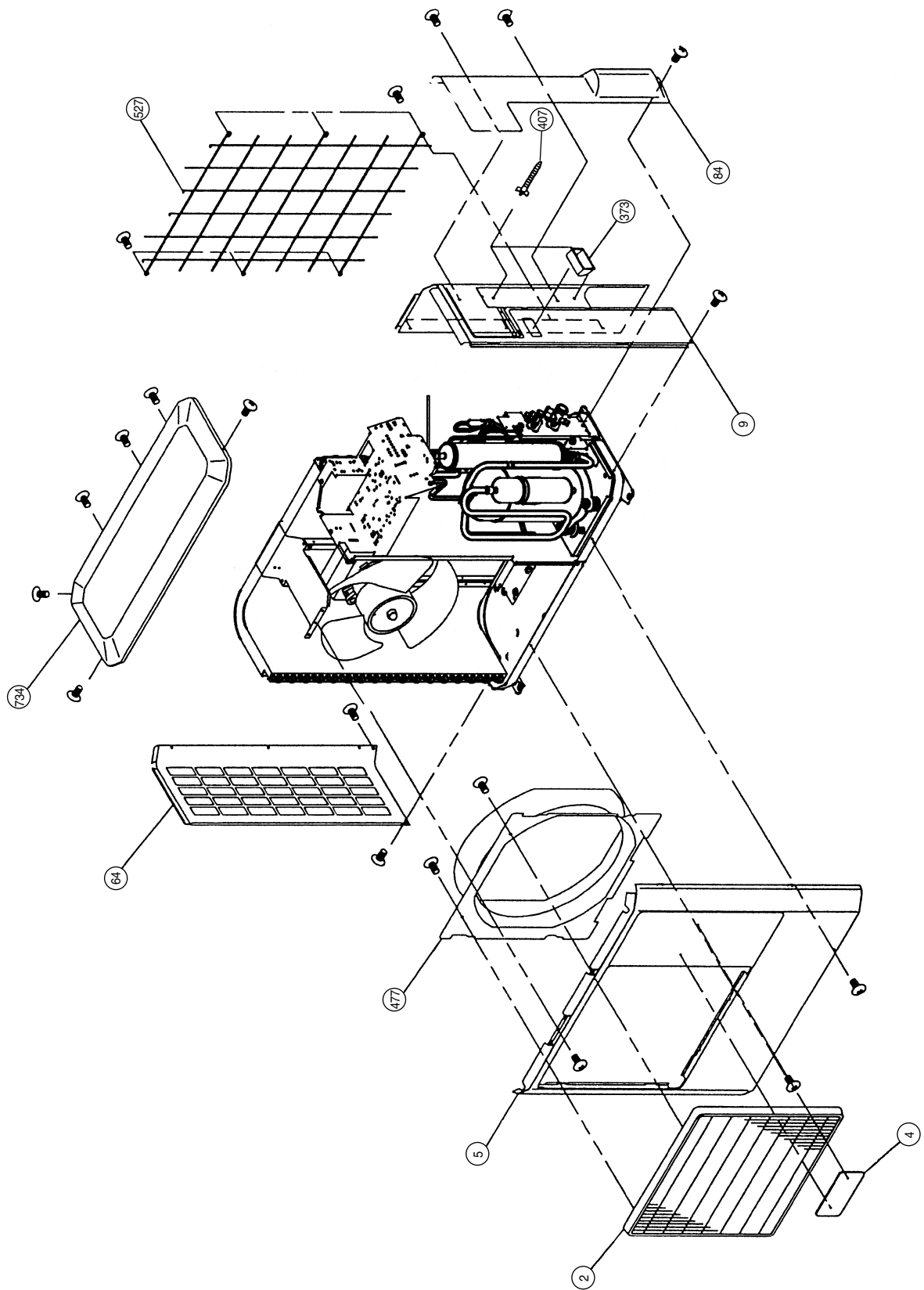


DISASSEMBLY ILLUSTRATION (Outdoor unit)

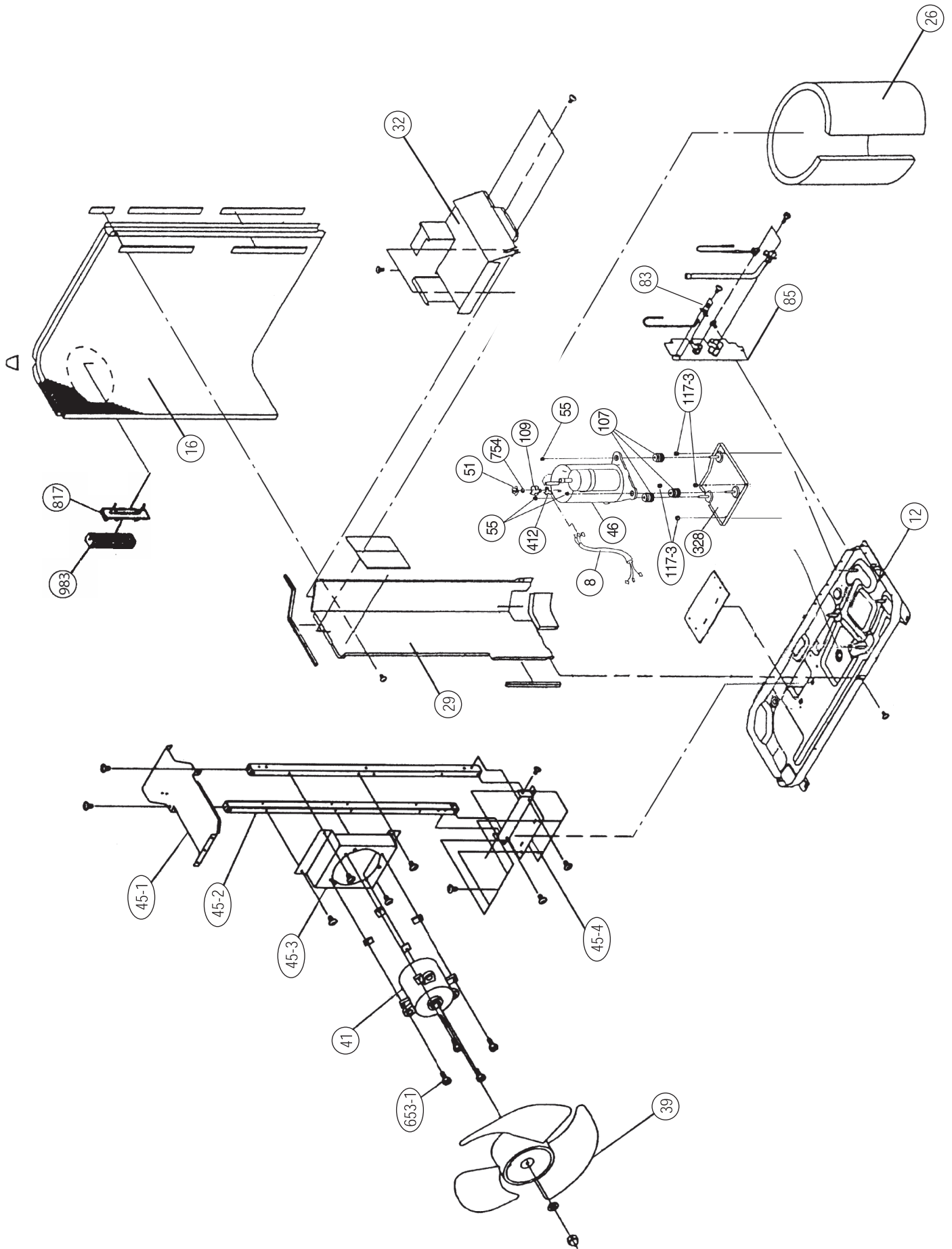
Models : AOY18FNAK
AOY18FNBK
AOY24FNBK
AOY18UNAKL
AOY18UNBKL
AOY24UNBKL



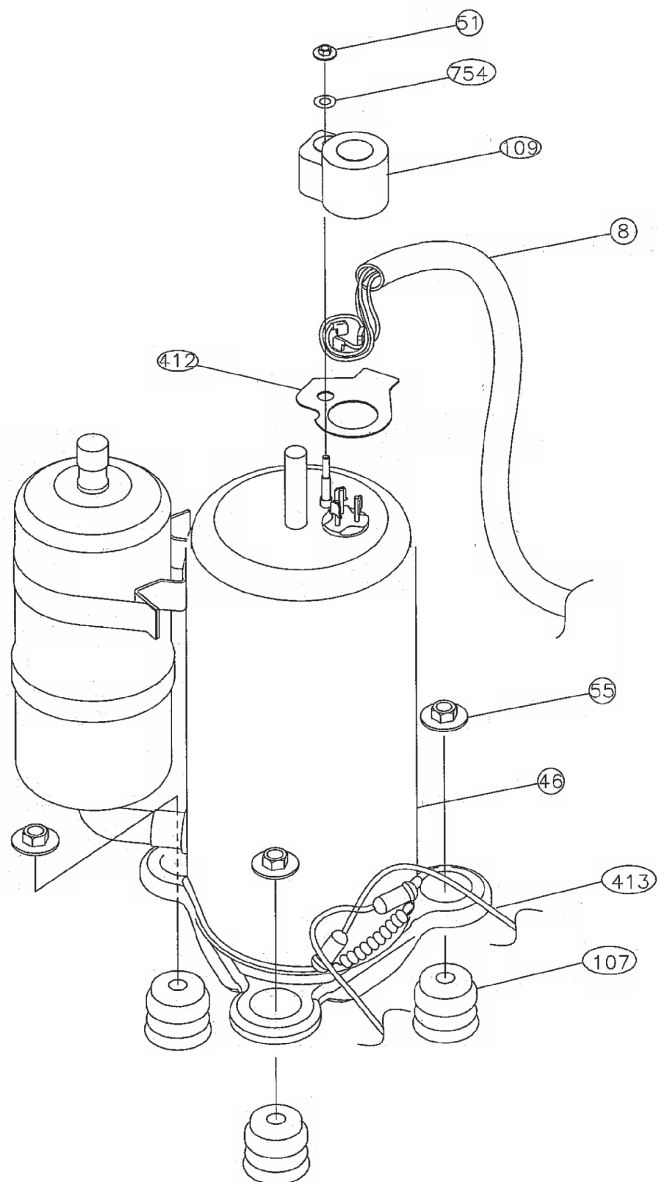
Models : AOY30FNBDL
AOY30UNBDL



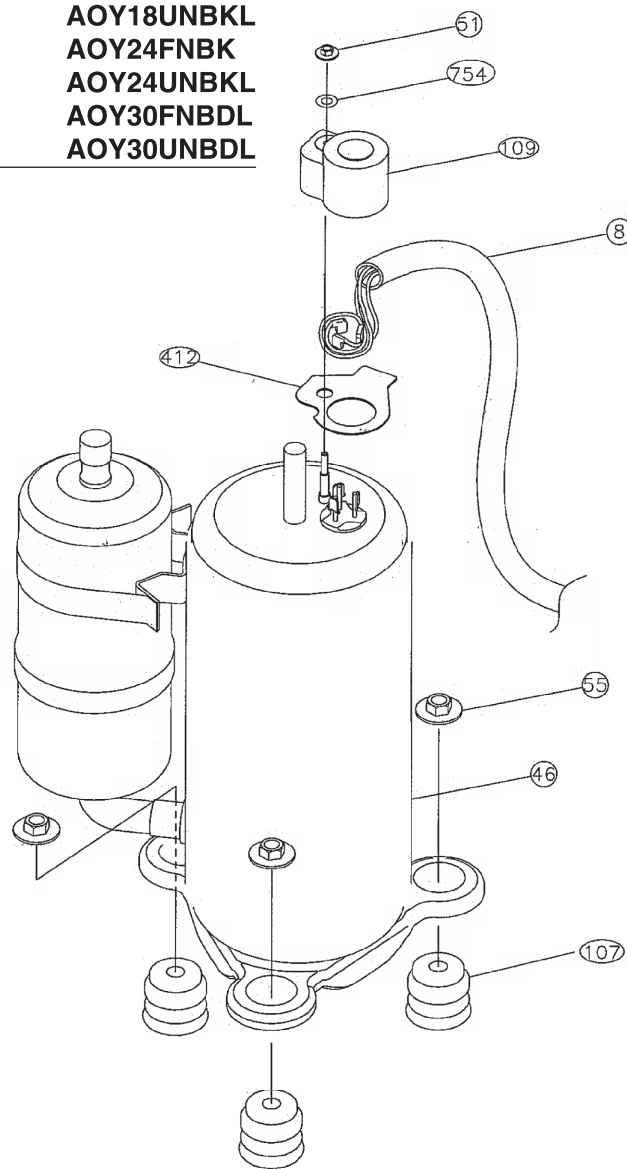
Models : AOY30FNBDL
AOY30UNBDL



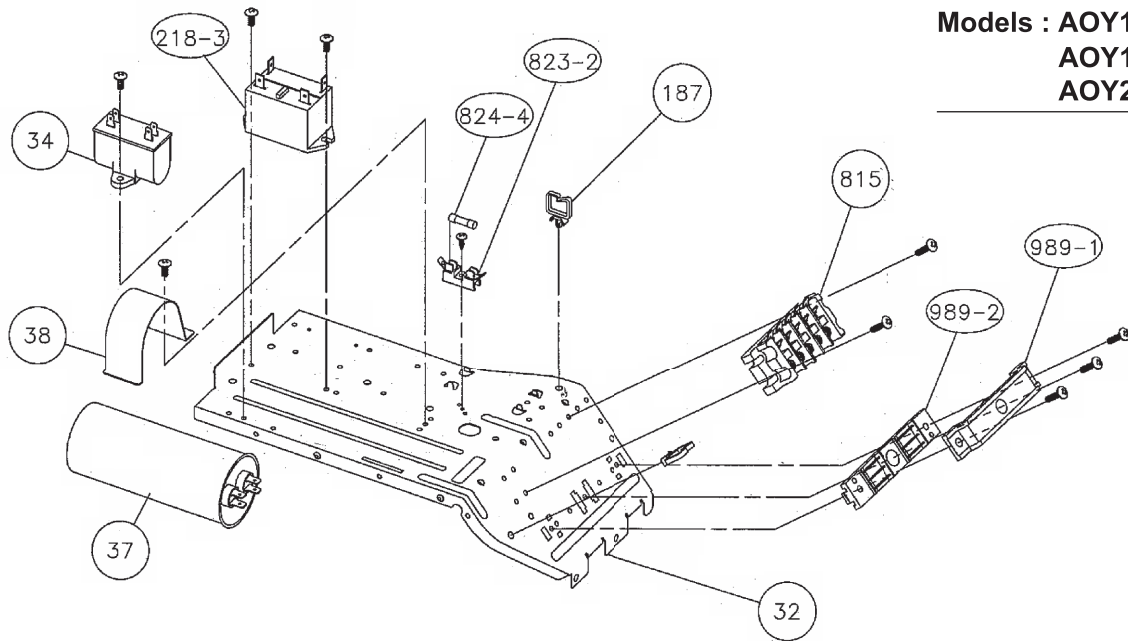
Model : AOY18UNAKL



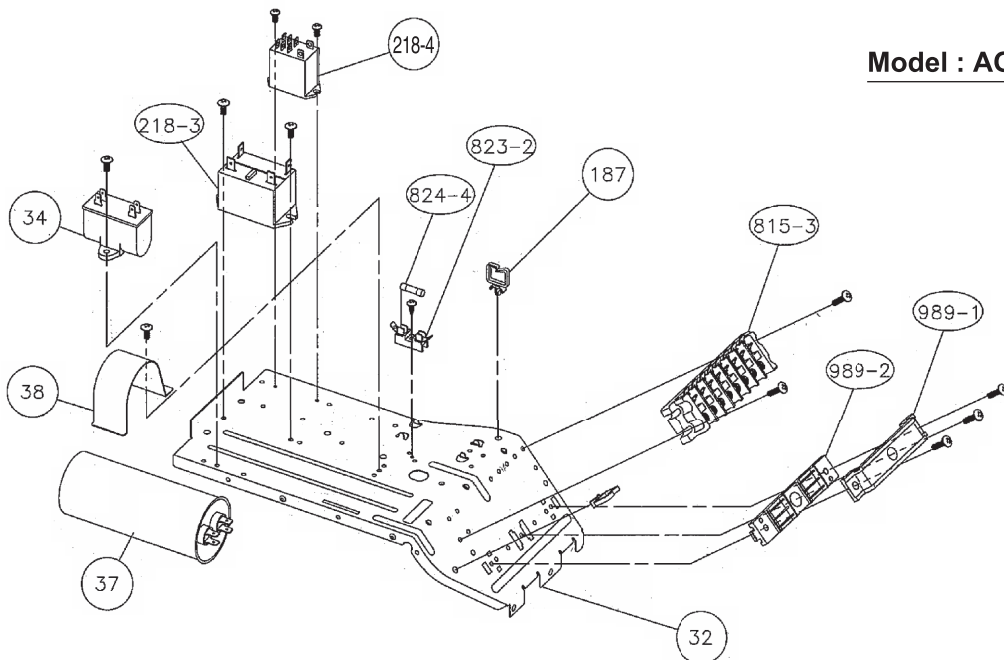
**Models : AOY18FNAK
AOY18FNBK
AOY18UNBKL
AOY24FNBK
AOY24UNBKL
AOY30FNBDL
AOY30UNBDL**



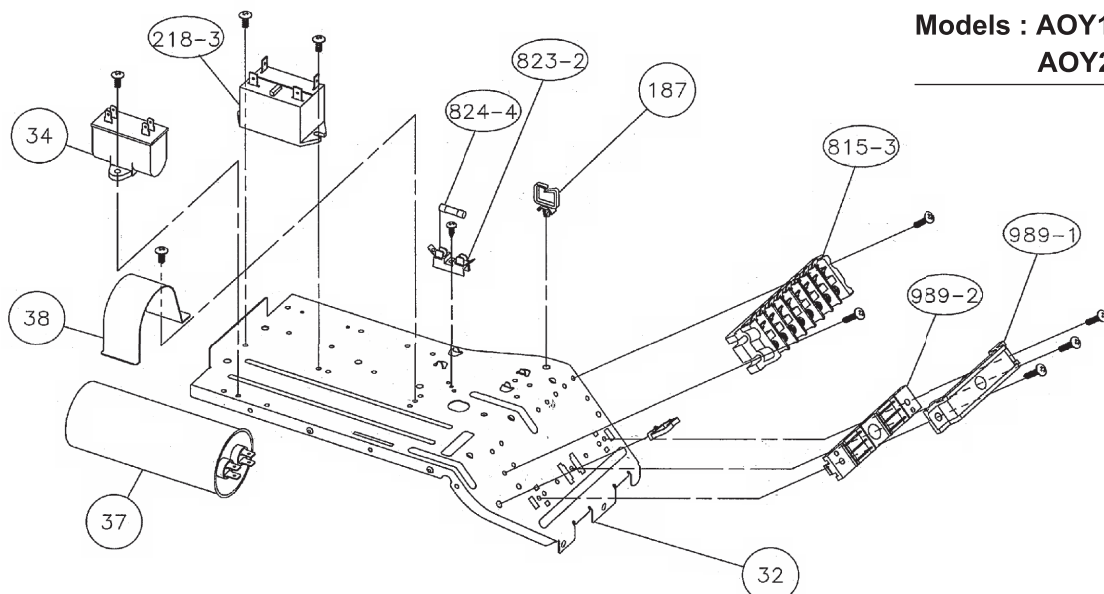
**Models : AOY18FNAK
AOY18FNBK
AOY24FNBK**



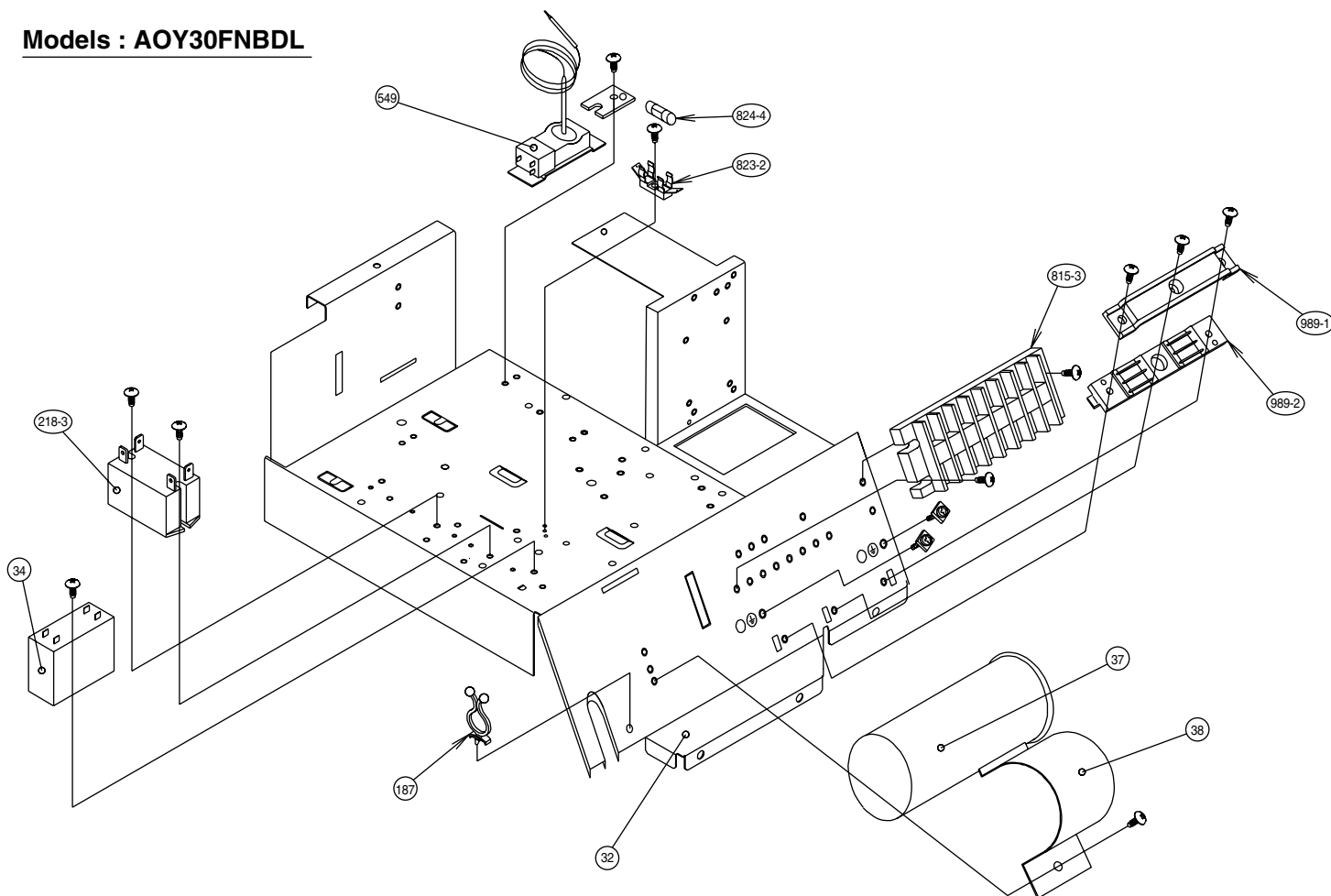
Model : AOY18UNAKL



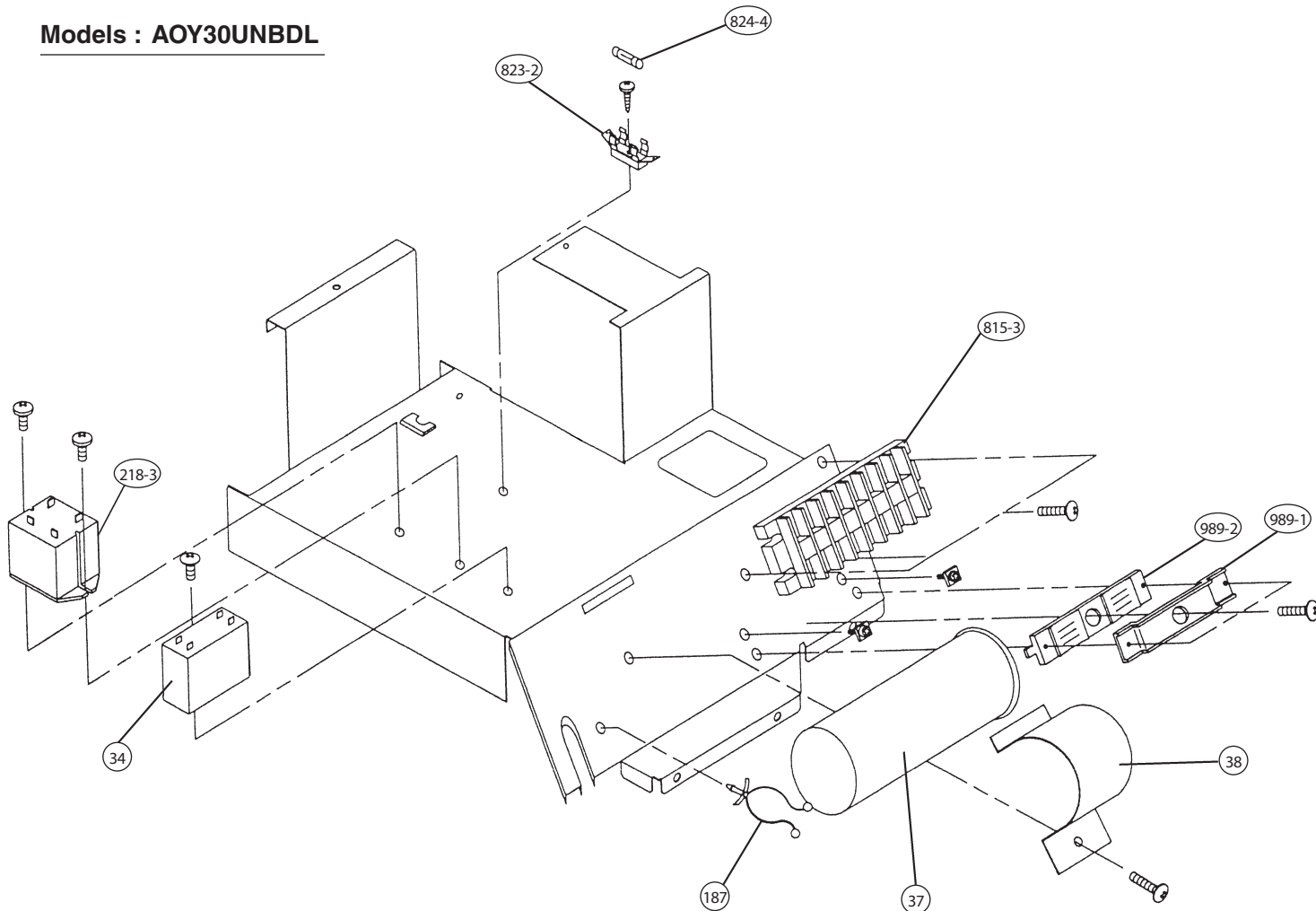
**Models : AOY18UNBKL
AOY24UNBKL**



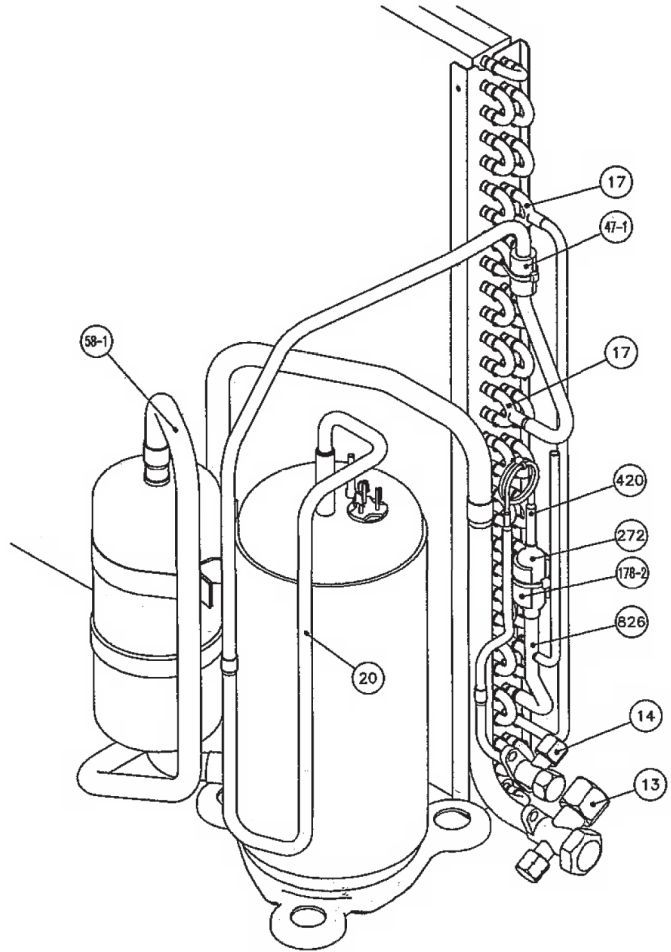
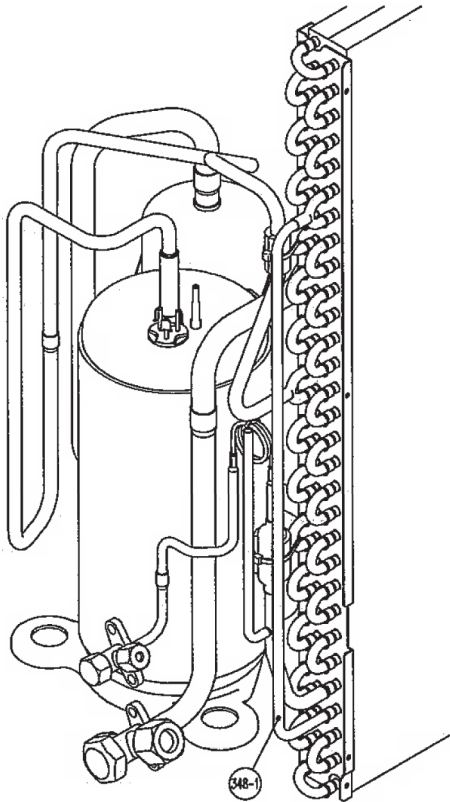
Models : AOY30FNBDL



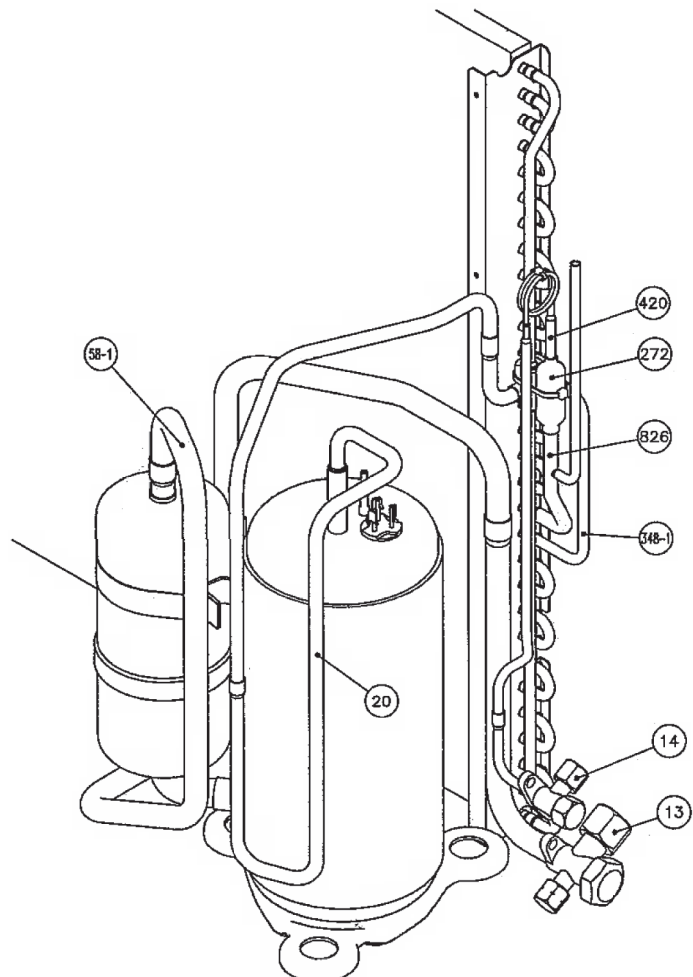
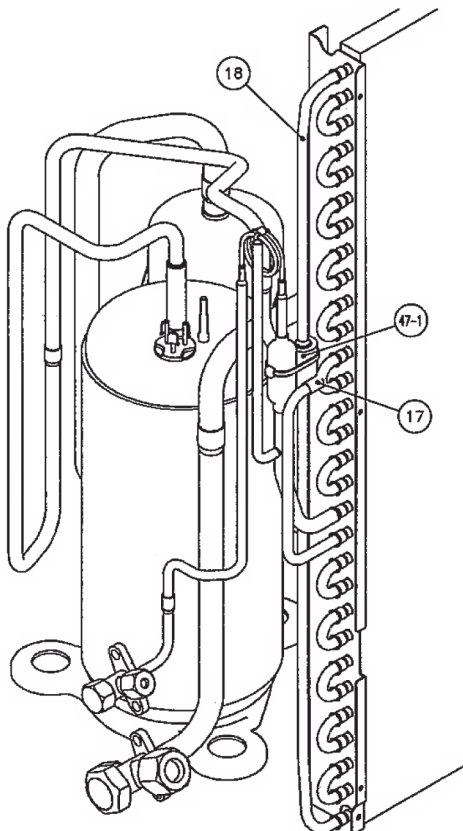
Models : AOY30UNBDL



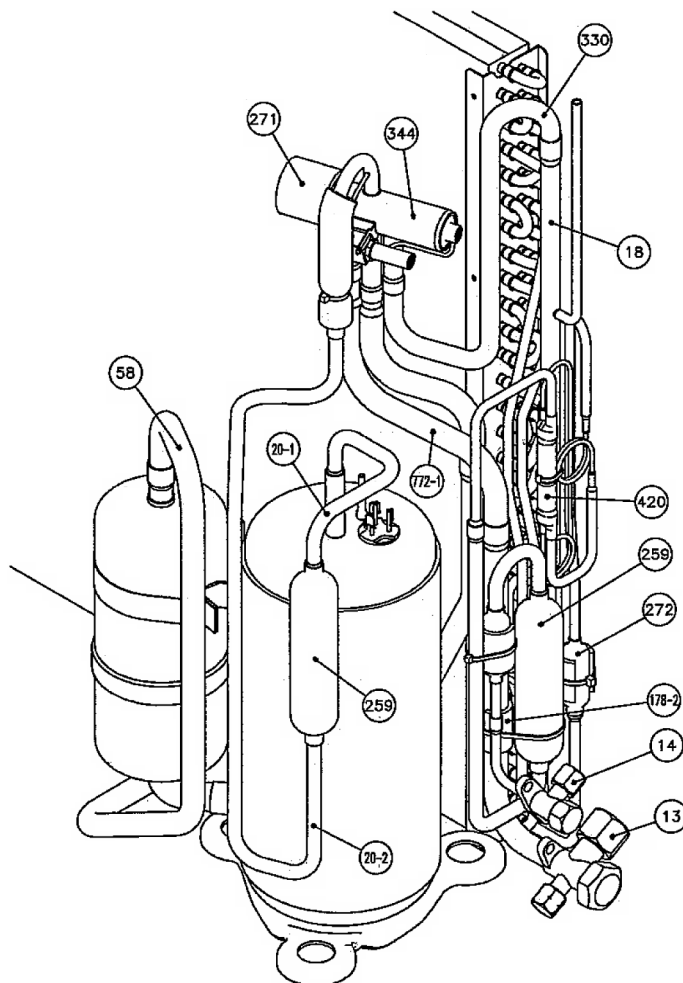
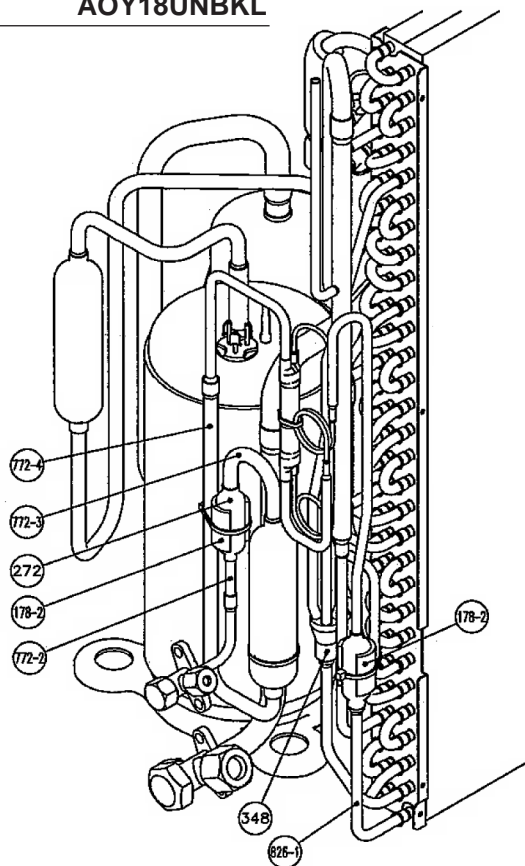
Model : AOY18FNAK



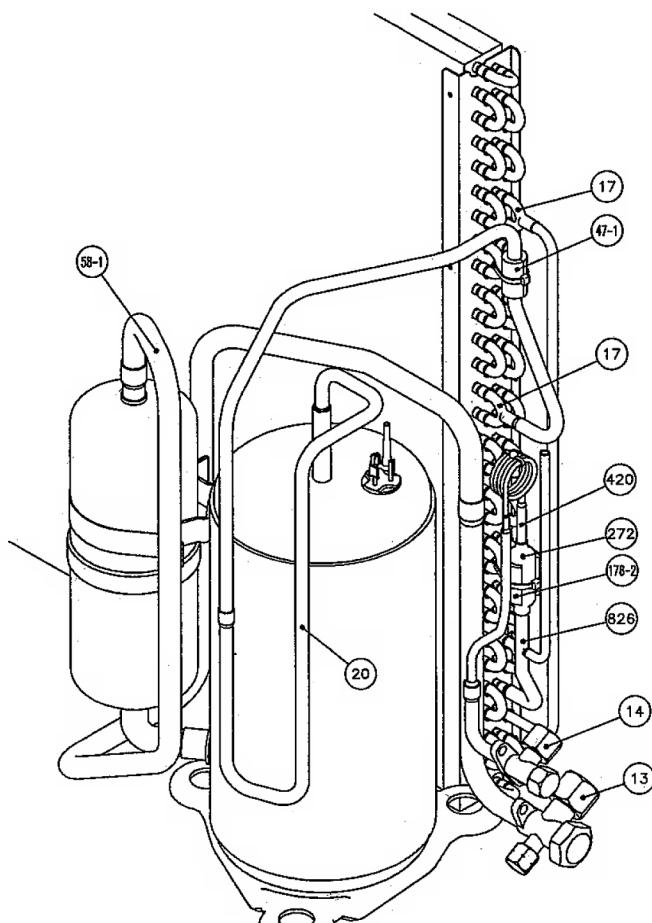
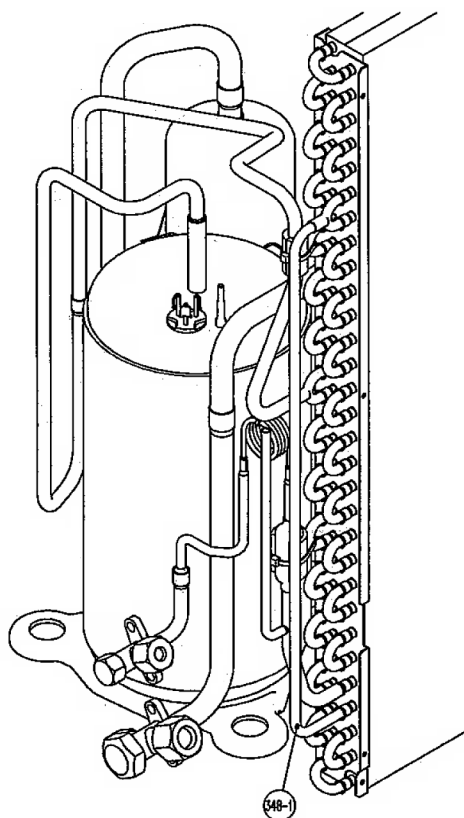
Model : AOY18FNBK



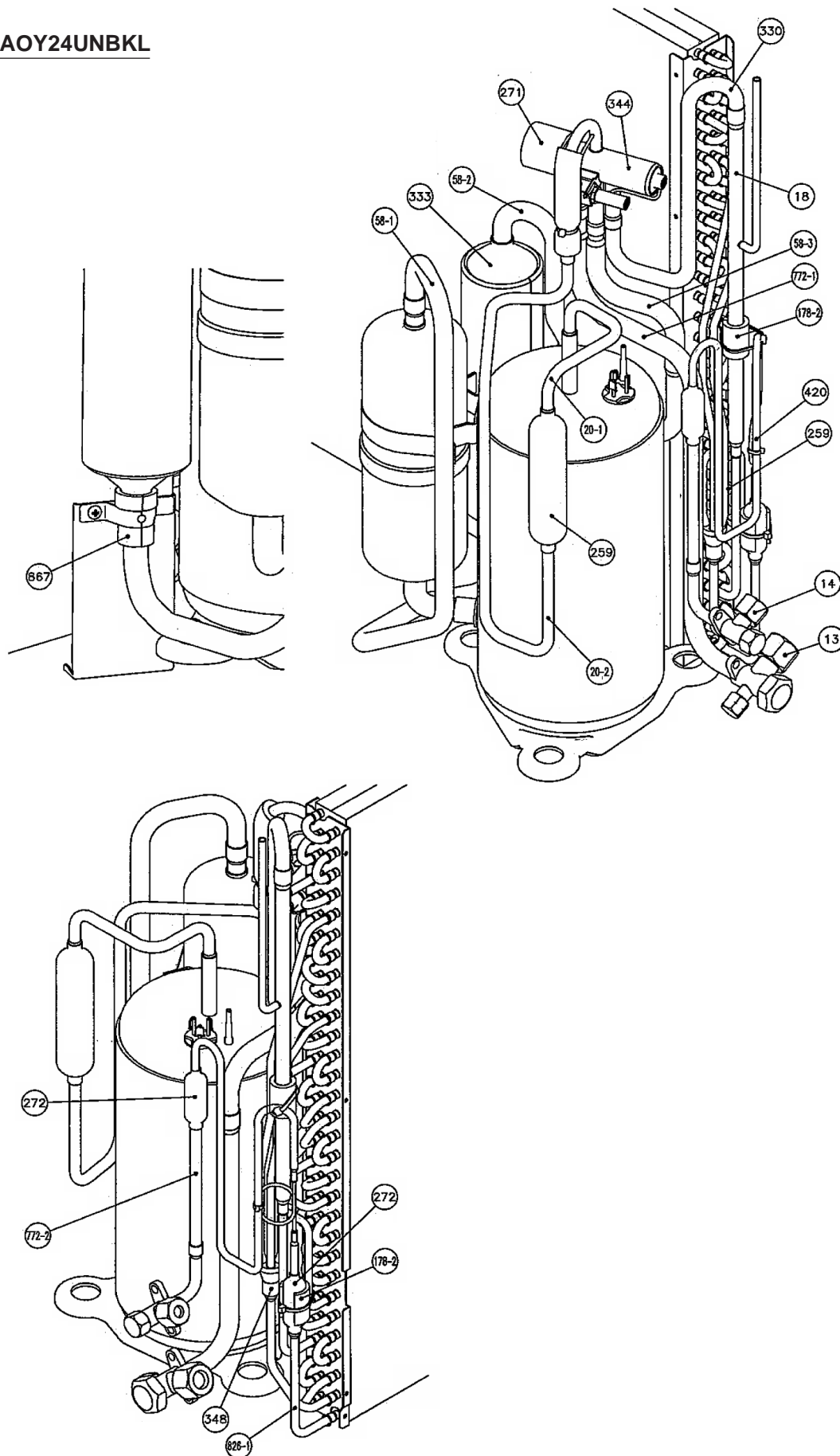
Models : AOY18UNAKL
AOY18UNBKL



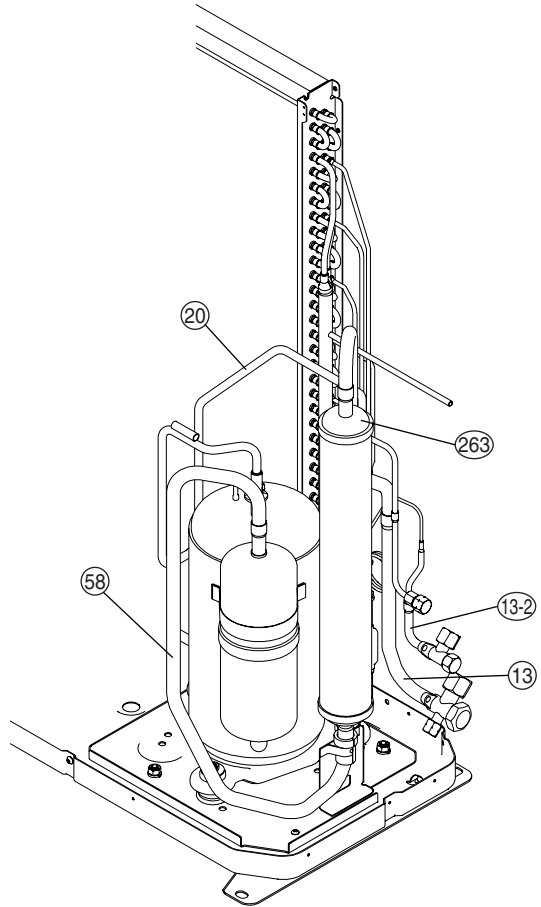
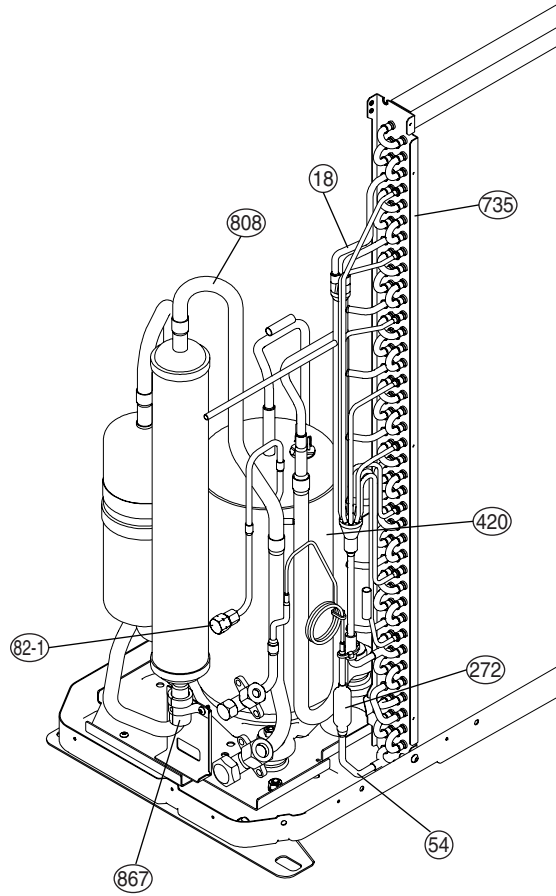
Model : AOY24FNBK



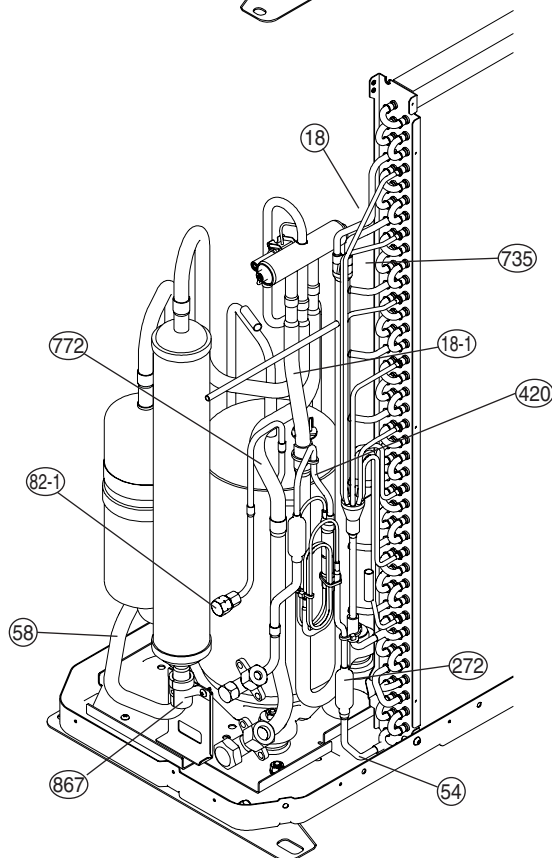
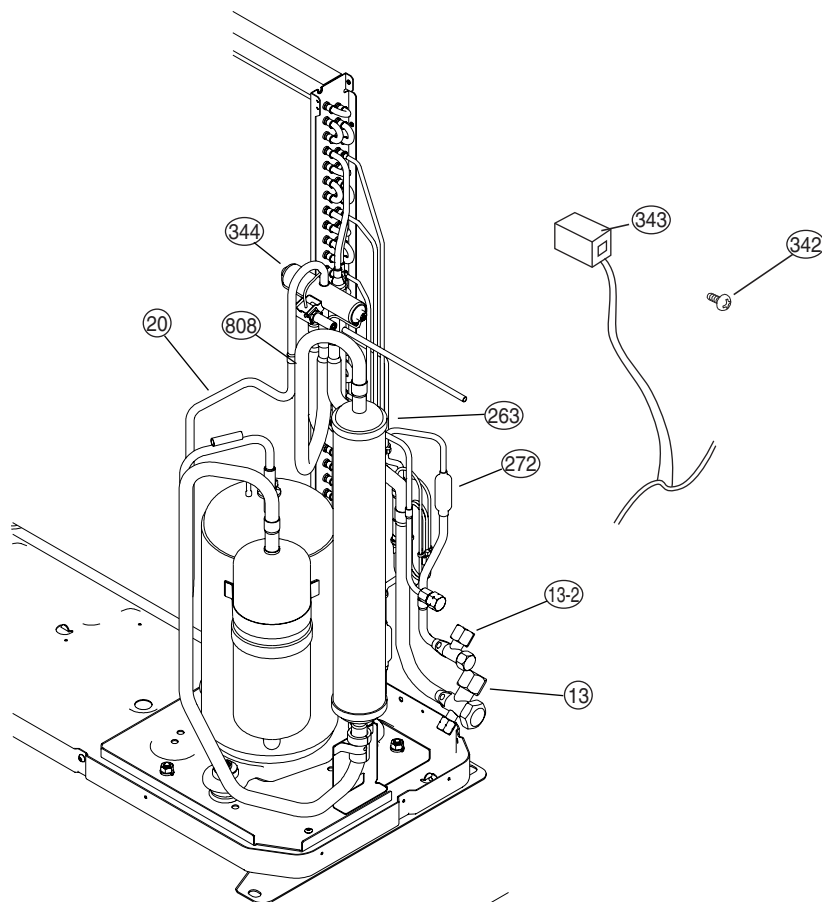
Model : AOY24UNBKL



Model : AOY30FNBDL



Model : AOY30UNBDL



PARTS LIST (Indoor unit)

When you order parts, please make a photocopy of this page and fill the number of the parts in the "Order" column.

| Ref. No. | Description | Part No. | | | Ord. Q'ty | Ref. No. | Description | Part No. | | | Ord. Q'ty |
|----------|----------------------|------------------------------|------------------------------|------------------------------|-----------|----------|-----------------------|--------------|--------------|--------------|-----------|
| | | AWY18FBAJ | AWY18FBBJ | AWY24FBBJ | | | | AWY18FBAJ | AWY18FBBJ | AWY24FBBJ | |
| 8-2 | Filter Frame | 9367681013 | 9367681013 | 9367681013 | | 629 | EMI Filter | 0400056133 | 0400056133 | 0400056133 | |
| 12 | Base-B | 9368216016 | 9368216016 | 9368216016 | | 652-1 | Thermo. Holder Pipe | 313806262805 | 313806262805 | 313806262805 | |
| 32 | Control Box | 9367663002 | 9367663002 | 9367663002 | | 735 | Distributor Assy | 9370584004 | 9370584004 | 9370584004 | |
| 45 | Bracket (Eva.) Assy | 9369317019 | 9369317019 | 9369317019 | | 743 | Remote Control Holder | 9305642014 | 9305642014 | 9305642014 | |
| 62 | Fan Motor-Inner | 9601385011 | 9601385011 | 9601385011 | | 759-1 | Intake Cover | 9367678013 | 9367678013 | 9367678013 | |
| 63 | Front Cover Assy | 9369194016 | 9369194016 | 9369194016 | | 764 | Drain Cap | 9367677009 | 9367677009 | 9367677009 | |
| 63-1 | Service Cover Assy | 9368837013 | 9368837013 | 9368837013 | | 815-1 | Terminal-3P | 9306489090 | 9306489090 | 9306489090 | |
| 67 | Rubber (Motor) | 9367676002 | 9367676002 | 9367676002 | | 855 | Display-F | 9367672011 | 9367672011 | 9367672011 | |
| 69 | Louver | 9367706013 | 9367706013 | 9367706013 | | 868 | PWB Holder (Display) | 9371131016 | 9371131016 | 9371131016 | |
| 70-1 | Hook (Cover)-L | 9367675012 | 9367675012 | 9367675012 | | 875 | PCB Assy-Switch | 9704370013 | 9704370013 | 9704370013 | |
| 70-2 | Hook (Cover)-R | 9367674015 | 9367674015 | 9367674015 | | 945 | Wire Holder | 9368016005 | 9368016005 | 9368016005 | |
| 92 | Link Arm | 9367694006 | 9367694006 | 9367694006 | | 960 | Diffuser Assy | 9368840013 | 9368840013 | 9368840013 | |
| 93 | Filter | 9367680016 | 9367680016 | 9367680016 | | 963 | Fan Guard | 9368015008 | 9368015008 | 9368015008 | |
| 108 | Base | 9371162010 | 9371162010 | 9371162010 | | 963-1 | Fan Guard Holder | 9367707003 | 9367707003 | 9367707003 | |
| 108-1 | Base Assy | 9368829056 | 9368829056 | 9368829056 | | 973 | Gear Box | 9367690008 | 9367690008 | 9367690008 | |
| 108-2 | Base-B Sub Assy | 9368843014 | 9368843014 | 9368843014 | | 998 | Bypass Pipe-A | 9368857004 | 9368857004 | 9368857004 | |
| 109 | Terminal CVR | 9368022006 | 9368022006 | 9368022006 | | 999 | Bypass Pipe-B | 9368917005 | 9368917005 | 9368917005 | |
| 120 | Eva. Sub Assy | 9368832070 | 9368832070 | 9368832070 | | | | | | | |
| 122 | Rub (Bearing) Assy | 9368998004 | 9368998004 | 9368998004 | | | | | | | |
| 127 | Drain Hose | 9367695003 | 9367695003 | 9367695003 | | | | | | | |
| 146 | Evaporator Assy | 9370583007 | 9370583007 | 9370583007 | | | | | | | |
| 158 | Joint Pipe Assy | 9372622018 | 9372622018 | 9369144004 | | | | | | | |
| 160 | Drain Pan Assy | 9368835026 | 9368835026 | 9368835026 | | | | | | | |
| 165 | Motor Box | 9367718009 | 9367718009 | 9367718009 | | | | | | | |
| 169 | Cross Fan Assy | 9367708000 | 9367708000 | 9367708000 | | | | | | | |
| 172 | Pipe Bracket | 9367844005 | 9367844005 | 9367844005 | | | | | | | |
| 172-3 | Pipe Holder | 9371135014 | 9371135014 | 9371135014 | | | | | | | |
| 174-1 | Fixing Plate | 9367987009 | 9367987009 | 9367987009 | | | | | | | |
| 184-1 | Thermo. Spring-A | 313728262708 | 313728262708 | 313728262708 | | | | | | | |
| 199 | Step Motor | 9900020019 | 9900020019 | 9900020019 | | | | | | | |
| 230 | Diffusion Sheet | 9368006013 | 9368006013 | 9368006013 | | | | | | | |
| 234 | Thermistor Assy-Room | 9703299148 | 9703299148 | 9703299148 | | | | | | | |
| 235 | Thermistor Assy-Pipe | 9703297038 | 9703297038 | 9703297038 | | | | | | | |
| 236 | Controller PCB Assy | 9704457073 (EZ-003LWSE-C) | 9704457028 (EZ-001EWSE-C) | 9704457011 (EZ-001DWSE-C) | | | | | | | |
| 240 | Remote Control Unit | 9374322022 | 9374322022 | 9374322022 | | | | | | | |
| 253-1 | Wire With Connector | 9704434012 | 9704434012 | 9704434012 | | | | | | | |
| 253-2 | Wire With Connector | 9704435019 | 9704435019 | 9704435019 | | | | | | | |
| 253-3 | Wire With Connector | 9704433015 | 9704433015 | 9704433015 | | | | | | | |
| 320 | Upper Flap | 9367688012 | 9367688012 | 9367688012 | | | | | | | |
| 321 | Lower Flap | 9371134017 | 9371134017 | 9371134017 | | | | | | | |
| 329 | Coupling Pipe Assy | 9370585001 | 9370585001 | 9370585001 | | | | | | | |
| 338 | Motor Holder | 9367798001 | 9367798001 | 9367798001 | | | | | | | |
| 385 | Indicator PCB Assy | 9704368010 | 9704368010 | 9704368010 | | | | | | | |
| 407 | Motor Link | 9367696000 | 9367696000 | 9367696000 | | | | | | | |
| 407-2 | Louver Rod | 9367698004 | 9367698004 | 9367698004 | | | | | | | |
| 408 | Louver Link | 9367697007 | 9367697007 | 9367697007 | | | | | | | |
| 408-1 | Louver Link-B | 9368789008 | 9368789008 | 9368789008 | | | | | | | |
| 425 | Earth Plate | 9368017002 | 9368017002 | 9368017002 | | | | | | | |
| 428 | Screw Cover | 9367717019 | 9367717019 | 9367717019 | | | | | | | |
| 435 | Louver Spring | 9369030000 | 9369030000 | 9369030000 | | | | | | | |
| 514 | Control Box Cover | 9367664009 | 9367664009 | 9367664009 | | | | | | | |
| 522-1 | Gear-A | 9367691005 | 9367691005 | 9367691005 | | | | | | | |
| 522-2 | Gear-B | 9367692002 | 9367692002 | 9367692002 | | | | | | | |
| 557 | Spring (Diffuser) | 9368824006 | 9368824006 | 9368824006 | | | | | | | |
| 574-1 | Eva. Support-R | 9367684007 | 9367684007 | 9367684007 | | | | | | | |
| 574-2 | Eva. Support-L | 9371129013 | 9371129013 | 9371129013 | | | | | | | |
| 627 | Link | 9367693009 | 9367693009 | 9367693009 | | | | | | | |

When you order parts, please make a photocopy of this page and fill the number of the parts in the "Order" column.

| Ref. No. | Description | Part No. | | | Ord. Q'ty |
|----------|----------------------|-------------------------------|------------------------------|------------------------------|-----------|
| | | AWY18UBAJ | AWY18UBBJ | AWY24UBBJ | |
| 8-2 | Filter Frame | 9367681013 | 9367681013 | 9367681013 | |
| 12 | Base-B | 9368216016 | 9368216016 | 9368216016 | |
| 32 | Control Box | 9367663002 | 9367663002 | 9367663002 | |
| 45 | Bracket (Eva.) Assy | 9369317019 | 9369317019 | 9369317019 | |
| 62 | Fan Motor-Inner | 9601385011 | 9601385011 | 9601385011 | |
| 63 | Front Cover Assy | 9369194016 | 9369194016 | 9369194016 | |
| 63-1 | Service Cover Assy | 9368837013 | 9368837013 | 9368837013 | |
| 67 | Rubber (Motor) | 9367676002 | 9367676002 | 9367676002 | |
| 69 | Louver | 9367706013 | 9367706013 | 9367706013 | |
| 70-1 | Hook (Cover)-L | 9367675012 | 9367675012 | 9367675012 | |
| 70-2 | Hook (Cover)-R | 9367674015 | 9367674015 | 9367674015 | |
| 92 | Link Arm | 9367694006 | 9367694006 | 9367694006 | |
| 93 | Filter | 9367680016 | 9367680016 | 9367680016 | |
| 108 | Base | 9371162010 | 9371162010 | 9371162010 | |
| 108-1 | Base Assy | 9368829018 | 9368829018 | 9368829018 | |
| 108-2 | Base-B Sub Assy | 9368843014 | 9368843014 | 9368843014 | |
| 109 | Terminal CVR | 9368022006 | 9368022006 | 9368022006 | |
| 120 | Eva. Sub Assy | 9368832070 | 9368832070 | 9368832070 | |
| 122 | Rub (Bearing) Assy | 9368998004 | 9368998004 | 9368998004 | |
| 127 | Drain Hose | 9367695003 | 9367695003 | 9367695003 | |
| 146 | Eveporator Assy | 9368853006 | 9368853006 | 9370583007 | |
| 158 | Joint Pipe Assy | 9372622018 | 9372622018 | 9369144004 | |
| 160 | Drain Pan Assy | 9368835026 | 9368835026 | 9368835026 | |
| 165 | Motor Box | 9367718009 | 9367718009 | 9367718009 | |
| 169 | Cross Fan Assy | 9367708000 | 9367708000 | 9367708000 | |
| 172 | Pipe Bracket | 9367844005 | 9367844005 | 9367844005 | |
| 172-3 | Pipe Holder | 9371135014 | 9371135014 | 9371135014 | |
| 174-1 | Fixing Plate | 9367987009 | 9367987009 | 9367987009 | |
| 184-1 | Thermo. Spring-A | 313728262708 | 313728262708 | 313728262708 | |
| 199 | Stepping Motor | 9900020019 | 9900020019 | 9900020019 | |
| 230 | Diffusion Sheet | 9368006013 | 9368006013 | 9368006013 | |
| 234 | Thermistor Assy-Room | 9703299148 | 9703299148 | 9703299148 | |
| 235 | Thermistor Assy-Pipe | 9703297038 | 9703297038 | 9703297038 | |
| 236 | Controller PCB Assy | 9704360137 (EZ-00304HSE-C) | 9704360021 (EZ-004PHSE-C) | 9704360014 (EZ=0017HSE-C) | |
| 240 | Remote Control Unit | 9374322015 | 9374322015 | 9374322015 | |
| 253-1 | Wire With Connector | 9704434012 | 9704434012 | 9704434012 | |
| 253-2 | Wire With Connector | 9704435019 | 9704435019 | 9704435019 | |
| 253-3 | Wire With Connector | 9704433015 | 9704433015 | 9704433015 | |
| 320 | Upper Flap | 9367688012 | 9367688012 | 9367688012 | |
| 321 | Lower Flap | 9371134017 | 9371134017 | 9371134017 | |
| 329 | Coupling Pipe Assy | 9370585001 | 9370585001 | 9370585001 | |
| 338 | Motor Holder | 9367798001 | 9367798001 | 9367798001 | |
| 385 | Indicator PCB Assy | 9704368010 | 9704368010 | 9704368010 | |
| 407 | Motor Link | 9367696000 | 9367696000 | 9367696000 | |
| 407-2 | Louver Rod | 9367698004 | 9367698004 | 9367698004 | |
| 408 | Louver Link | 9367697007 | 9367697007 | 9367697007 | |
| 408-1 | Louver Link-B | 9368789008 | 9368789008 | 9368789008 | |
| 425 | Earth Plate | 9368017002 | 9368017002 | 9368017002 | |
| 428 | Screw Cover | 9367717019 | 9367717019 | 9367717019 | |
| 435 | Louver Spring | 9369030000 | 9369030000 | 9369030000 | |
| 514 | Control Box Cover | 9367664009 | 9367664009 | 9367664009 | |
| 522-1 | Gear-A | 9367691005 | 9367691005 | 9367691005 | |
| 522-2 | Gear-B | 9367692002 | 9367692002 | 9367692002 | |
| 557 | Spring (Diffuser) | 9368824006 | 9368824006 | 9368824006 | |
| 574-1 | Eva Support-R | 9367684007 | 9367684007 | 9367684007 | |
| 574-2 | Eva. Support-L | 9371129013 | 9371129013 | 9371129013 | |
| 627 | Link | 9367693009 | 9367693009 | 9367693009 | |

| Ref. No. | Description | Part No. | | | Ord. Q'ty |
|----------|-----------------------|--------------|--------------|--------------|-----------|
| | | AWY18UBAJ | AWY18UBBJ | AWY24UBBJ | |
| 629 | EMI Filter | 0400056133 | 0400056133 | 0400056133 | |
| 652-1 | Thrm. Holder Pipe | 313806262805 | 313806262805 | 313806262805 | |
| 735 | Distributor Assy | 9370584004 | 9370584004 | 9370584004 | |
| 743 | Remote Control Holder | 9305642014 | 9305642014 | 9305642014 | |
| 759-1 | Intake Cover | 9367678013 | 9367678013 | 9367678013 | |
| 764 | Drain Cap | 9367677009 | 9367677009 | 9367677009 | |
| 815 | Terminal | 9900016012 | 9900016012 | 9900016012 | |
| 855 | Display-F | 9367672011 | 9367672011 | 9367672011 | |
| 868 | PWB Holder (Display) | 9371131016 | 9371131016 | 9371131016 | |
| 875 | PCB Assy-Switch | 9704370013 | 9704370013 | 9704370013 | |
| 945 | Wire Holder | 9368016005 | 9368016005 | 9368016005 | |
| 960 | Diffser Assy | 9368840013 | 9368840013 | 9368840013 | |
| 963 | Fanguard | 9368015008 | 9368015008 | 9368015008 | |
| 963-1 | Fanguard Holder | 9367707003 | 9367707003 | 9367707003 | |
| 973 | Gear Box | 9367690008 | 9367690008 | 9367690008 | |

| Ref. No. | Description | Part No. | Ord. Q'ty | Ref. No. | Description | Part No. | Ord. Q'ty |
|----------|--------------------------|--------------|-----------|----------|---------------------------------|--------------|-----------|
| | | AWY30FBBJ | | | | AWY30FBBJ | |
| 8-2 | Filter Frame | 9367681013 | | 321 | Lower Flap | 9371134017 | |
| 12 | Base-B | 9368216016 | | 338 | Motor Holder | 9367798001 | |
| 32 | Control Box | 9367663002 | | 385 | Indicator PCB Assy | 9704368010 | |
| 45 | Bracket (Eva.) Assy | 9369317019 | | 407 | Motor Link | 9367696000 | |
| 62 | Fan Motor-Inner | 9601385011 | | 407-2 | Louver Rod | 9367698004 | |
| 63 | Front Cover-F Assy (AWY) | 9369194016 | | 408 | Louver Link | 9367697007 | |
| 63-1 | Service Cover Assy | 9368837013 | | 408-1 | Louver Link-B | 9368789008 | |
| 67 | Rubber (Motor) | 9367676002 | | 425 | Earth Plate | 9368017002 | |
| 69 | Louver | 9367706013 | | 428 | Screw Cover | 9367717019 | |
| 70-1 | Hook (Cover)-L | 9367675012 | | 435 | Louver Spring | 9369030000 | |
| 70-2 | Hook (Cover)-R | 9367674015 | | 514 | Control Box Cover | 9367664009 | |
| 92 | Link Holder | 9367694006 | | 522-1 | Gear-A | 9367691005 | |
| 93 | Filter | 9367680016 | | 522-2 | Gear-B | 9367692002 | |
| 108 | Base | 9371162010 | | 557 | (Spring) Diffuser | 9368824006 | |
| 108-1 | Base Assy | 9368829049 | | 574-1 | Evaporator Support-R | 9367684007 | |
| 108-2 | Base-B Sub Assy | 9368843014 | | 574-2 | Evaporator Support-L | 9371129013 | |
| 109 | Terminal CVR | 9368022006 | | 588 | Evaporator Holder | 9367711000 | |
| 120 | Eva. Sub Assy | 9368832056 | | 588-1 | Evaporator Holder-B | 9368783006 | |
| 122 | Rub (Bearing) Assy | 9368998004 | | 627 | Link | 9367693009 | |
| 127 | Drain Hose | 9367695003 | | 629 | EMI Filter | 0400056133 | |
| 146 | Evaporator Assy | 9370559002 | | 652-1 | Thrm. Holder Pipe | 313806262805 | |
| 146-1 | Evaporator Assy -B | 9369124006 | | 735 | Distributor Assy | 9370560008 | |
| 158 | Joint Pipe Assy | 9369144004 | | 743 | Remote Control Unit Holder Case | 9305642014 | |
| 160 | Drain Pan Assy | 9368835019 | | 759-1 | Intake Cover | 9367678013 | |
| 165 | Motor Box | 9367718009 | | 764 | Drain Cap | 9367677009 | |
| 169 | Cross Flow Fan Assy | 9367708000 | | 815-1 | Terminal-3P | 9306489090 | |
| 172 | Pipe Bracket | 9367844005 | | 855 | Display-F (AWY) | 9367672011 | |
| 172-3 | Pipe Holder | 9371135014 | | 875 | PCB Assy-Switch | 9704370013 | |
| 174-1 | Fixing Plate | 9367987009 | | 945 | Wire Holder | 9368016005 | |
| 184-1 | Thermo. Spring-A | 313728262708 | | 960 | Diffuser Assy | 9368840013 | |
| 199 | Step Motor | 9900020019 | | 963 | Fan Guard | 9368015008 | |
| 230 | Diffusion Sheet | 9368006013 | | 963-1 | Fan Guard Holder | 9367707003 | |
| 234 | Thermistor Assy-Room | 9703299148 | | 973 | Gear Box | 9367690008 | |
| 235 | Thermistor Assy-Pipe | 9703297038 | | | | | |
| 236 | Controller PCB Assy | 9704457059 | | | | | |
| 240 | Remote Control Unit | 9374322022 | | | | | |
| 253-1 | Wire with Connector | 9704434012 | | | | | |
| 253-2 | Wire with Connector | 9704435019 | | | | | |
| 253-3 | Wire with Connector | 9704433015 | | | | | |
| 320 | Upper Flap | 9367688012 | | | | | |

When you order parts, please make a photocopy of this page and fill the number of the parts in the "Order" column.

| Ref. No. | Description | Part No. | Ord. Q'ty | Ref. No. | Description | Part No. | Ord. Q'ty |
|----------|----------------------|--------------|-----------|----------|-----------------------|--------------|-----------|
| | | AWY30UBBJ | | | | AWY30UBBJ | |
| 8-2 | Filter Frame | 9367681013 | | 321 | Lower Flap | 9371134017 | |
| 12 | Base-B | 9368216016 | | 329 | Coupling Pipe Assy | 9370561005 | |
| 32 | Control Box | 9367663002 | | 338 | Motor Holder | 9367798001 | |
| 45 | Bracket (Eva.) Assy | 9369317019 | | 385 | Indicator PCB Assy | 9704368010 | |
| 62 | Fan Motor-Inner | 9601385011 | | 407 | Motor Link | 9367696000 | |
| 63 | Front Cover Assy | 9369194016 | | 407-2 | Louver Rod | 9367698004 | |
| 63-1 | Service Cover Assy | 9368837013 | | 408 | Louver Link | 9367697007 | |
| 67 | Rubber (Motor) | 9367676002 | | 408-1 | Louver Link-B | 9368789008 | |
| 69 | Louver | 9367706013 | | 425 | Earth Plate | 9368017002 | |
| 70-1 | Hook (Cover)-L | 9367675012 | | 428 | Screw Cover | 9367717019 | |
| 70-2 | Hook (Cover)-R | 9367674015 | | 435 | Louver Spring | 9369030000 | |
| 92 | Link Arm | 9367694006 | | 514 | Control Box Cover | 9367664009 | |
| 93 | Filter | 9367680016 | | 522-1 | Gear-A | 9367691005 | |
| 108 | Base | 9371162010 | | 522-2 | Gear-B | 9367692002 | |
| 108-1 | Base Assy | 9368829018 | | 557 | Spring (Diffuser) | 9368824006 | |
| 108-2 | Base-B Sub Assy | 9368843014 | | 574-1 | Eva Support-R | 9367684007 | |
| 109 | Terminal CVR | 9368022006 | | 574-2 | Eva. Support-L | 9371129013 | |
| 120 | Eva. Sub Assy | 9368832056 | | 588 | Eva. Holder | 9367711000 | |
| 122 | Rub (Bearing) Assy | 9368998004 | | 588-1 | Eva. Holder-B | 9368783006 | |
| 127 | Drain Hose | 9367695003 | | 627 | Link | 9367693009 | |
| 146 | Eveporator Assy | 9370559002 | | 629 | EMI Filter | 0400056133 | |
| 146-1 | Eveporator Assy-B | 9369124006 | | 652-1 | Thrm. Holder Pipe | 313806262805 | |
| 158 | Joint Pipe Assy | 9369144004 | | 735 | Distributor Assy | 9370560008 | |
| 160 | Drain Pan Assy | 9368835026 | | 743 | Remote Control Holder | 9305642014 | |
| 165 | Motor Box | 9367718009 | | 759-1 | Intake Cover | 9367678013 | |
| 169 | Cross Fan Assy | 9367708000 | | 764 | Drain Cap | 9367677009 | |
| 172 | Pipe Bracket | 9367844005 | | 815 | Terminal | 9900016012 | |
| 172-3 | Pipe Holder | 9371135014 | | 855 | Display-F | 9367672011 | |
| 174-1 | Fixing Plate | 9367987009 | | 868 | PWB Holder (Display) | 9367679003 | |
| 184-1 | Thermo. Spring-A | 313728262708 | | 875 | PCB Assy-Switch | 9704370013 | |
| 199 | Stepping Motor | 9900020019 | | 945 | Wire Holder | 9368016005 | |
| 230 | Diffusion Sheet | 9368006013 | | 960 | Diffser Assy | 9368840013 | |
| 234 | Thermistor Assy-Room | 9703299148 | | 963 | Fanguard | 9368015008 | |
| 235 | Thermistor Assy-Pipe | 9703297038 | | 963-1 | Fanguard Holder | 9367707003 | |
| 236 | Controllor PCB Assy | 9704360052 | | 973 | Gear Box | 9367690008 | |
| 240 | Remote Control Unit | 9374322015 | | | | | |
| 253-1 | Wire With Connector | 9704434012 | | | | | |
| 253-2 | Wire With Connector | 9704435019 | | | | | |
| 253-3 | Wire With Connector | 9704433015 | | | | | |
| 320 | Upper Flap | 9367688012 | | | | | |

When you order parts, please make a photocopy of this page and fill the number of the parts in the "Order" column.

PARTS LIST (Outdoor unit)

When you order parts, please make a photocopy of this page and fill the number of the parts in the "Order" column.

| Ref. No. | Description | Part No. | | | Ord. Q'ty |
|----------|---------------------------|--------------|--------------|--------------|-----------|
| | | AOY18FNAK | AOY18FNBK | AOY24FNBK | |
| 2 | Fan Guard | 9371187013 | 9371187013 | 9371187013 | |
| 4 | Emblem-Rear | 9351355005 | 9351355005 | 9351355005 | |
| 5 | Front Panel Ptd | 9371924014 | 9371924014 | 9371924014 | |
| 7 | Connector Cover (Cabinet) | 9366398004 | 9366398004 | 9366398004 | |
| 8 | Wire Assy (Comp) | 9372334010 | 9372334010 | 9372334010 | |
| 9 | Side Panel R Ptd | 9371927015 | 9371927015 | 9371927015 | |
| 12 | Base Assy, Ptd | 9371920054 | 9371920054 | 9371920016 | |
| 13-1 | 3-Way Valve Assy | 9372205013 | 9372205013 | 9372205013 | |
| 13-2 | 2-Way Valve Assy | 9372204016 | 9372204016 | 9372204023 | |
| 16 | Condenser Assy | 9372181027 | 9372181041 | 9372181027 | |
| 26 | Compressor Cover | 9372327012 | 9372327012 | 9372327012 | |
| 29 | Separate Wall | 9371933016 | 9371933016 | 9371933016 | |
| 32 | Control Box | 9371935010 | 9371935010 | 9371935010 | |
| 34 | Capacitor, Plastic | 9900130022 | 9900130022 | 9900130022 | |
| 37 | Running Capacitor | 9703107122 | 9703107122 | 9703107023 | |
| 38 | Capacitor Clamp Metal | 9351770013 | 9351770013 | 313791061807 | |
| 39 | Propeller Fan Assy | 9366378013 | 9366378013 | 9366378013 | |
| 41 | Motor Induct | 9601671022 | 9601671022 | 9601671022 | |
| 45-1 | Motor Bracket | 9371929019 | 9371929019 | 9371929019 | |
| 45-2 | Motor Bracket-Top | 9371931012 | 9371931012 | 9371931012 | |
| 45-3 | Motor Bracket Center | 9371930015 | 9371930015 | 9371930015 | |
| 45-4 | Motor Bracket Bottom | 9371932019 | 9371932019 | 9371932019 | |
| 46 | Compressor Assy | 9372333013 | 9372558027 | 9372558010 | |
| 47-1 | Rubber (Discharge Pipe) | 313194159807 | 313194159807 | 313194159807 | |
| 51 | Special Nut M5 | 9300301015 | 9300301015 | 9300301015 | |
| 55 | Special Nut M8 | 9355091008 | 9355091008 | 9355091008 | |
| 64 | Side Panel L Ptd | 9371926018 | 9371926018 | 9371926018 | |
| 69-3 | Bolt, Hex. Socket | 301210060360 | 301210060360 | 301210060360 | |
| 85 | Valve Plate Ptd | 9371928012 | 9371928012 | 9371928012 | |
| 107 | Rubber Seat-A | 9351049010 | 9351049010 | 9351049010 | |
| 109 | Terminal Cover (Comp) | 9371511016 | 9371511016 | 9371511016 | |
| 187 | Clip (Cable) | 9352715006 | 9352715006 | 9352715006 | |
| 218-3 | Relay | 9900074012 | 9900074012 | 9900074012 | |
| 272 | Strainer | 9369287008 | 9369287008 | 9369287008 | |
| 412 | Cover Gasket (Comp.) | 9371512013 | 9371512013 | 9371512013 | |
| 527 | Protectiive Net | 9371934013 | 9371934013 | 9371934013 | |
| 734 | Top Plate | 9371925011 | 9371925011 | 9371925011 | |
| 735-3 | Capillary Assy | 9372197035 | 9372197066 | 9372197059 | |
| 754 | Terminal Gask. Washer | 9351053017 | 9351053017 | 9351053017 | |
| 815 | Terminal-5P | 9356497021 | 9356497021 | 9356497021 | |
| 823-3 | Fuse Holder | 0500063024 | 0500063024 | 0500063024 | |
| 824-4 | Fuse | 0600222529 | 0600222529 | 0600222529 | |
| 982-1 | Cord Clamp-A | 9359822011 | 9359822011 | 9359822011 | |
| 982-2 | Cord Clamp-B | 9359823018 | 9359823018 | 9359823018 | |

When you order parts, please make a photocopy of this page and fill the number of the parts in the "Order" column.

| Ref. No. | Description | Part No. | | | Ord. Q'ty |
|----------|---------------------------|--------------|--------------|--------------|-----------|
| | | AOY18UNAKL | AOY18UNBKL | AOY24UNBKL | |
| 2 | Fan Guard | 9371187013 | 9371187013 | 9371187013 | |
| 4 | Emblem-Rear | 9351355005 | 9351355005 | 9351355005 | |
| 5 | Front Panel Ptd | 9371924014 | 9371924014 | 9371924014 | |
| 7 | Connector Cover (Cabinet) | 9366398004 | 9366398004 | 9366398004 | |
| 8 | Wire Assy (Comp) | 9372334010 | 9372334010 | 9372334010 | |
| 9 | Side Panel R Ptd | 9371927015 | 9371927015 | 9371927015 | |
| 12 | Base Assy, Ptd | 9371920054 | 9371920054 | 9371920016 | |
| 13-1 | 3-Way Valve Assy | 9372205013 | 9372205013 | 9372205013 | |
| 13-2 | 2-Way Valve Assy | 9372204016 | 9372204016 | 9372204023 | |
| 16 | Condenser Assy | 9372181010 | 9372181034 | 9372181010 | |
| 26 | Compressor Cover A | 9372327012 | 9372327012 | 9372327012 | |
| 29 | Separate Wall | 9371933016 | 9371933016 | 9371933016 | |
| 32 | Control Box | 9371935010 | 9371935010 | 9371935010 | |
| 34 | Capacitor, Plastic | 9900130022 | 9900130022 | 9900130022 | |
| 37 | Running Capacitor | 9703107122 | 9703107122 | 9703107023 | |
| 38 | Capacitor Clamp Metal | 9351770013 | 9351770013 | 313791061807 | |
| 39 | Propeller Fan Assy | 9366378013 | 9366378013 | 9366378013 | |
| 41 | Motor Induct | 9601671015 | 9601671015 | 9601671015 | |
| 45-1 | Motor Bracket | 9371929019 | 9371929019 | 9371929019 | |
| 45-2 | Motor Bracket-Top | 9371931012 | 9371931012 | 9371931012 | |
| 45-3 | Motor Bracket Ctr | 9371930015 | 9371930015 | 9371930015 | |
| 45-4 | Motor Bracket Bottom | 9371932019 | 9371932019 | 9371932019 | |
| 46 | Compressor Assy | 9372333013 | 9372558027 | 9372558010 | |
| 51 | Special Nut M5 | 9300301015 | 9300301015 | 9300301015 | |
| 55 | Special Nut M8 | 9355091008 | 9355091008 | 9355091008 | |
| 64 | Side Panel L Ptd | 9371926018 | 9371926018 | 9371926018 | |
| 69-3 | Bolt, Hex. Socket | 301210060360 | 301210060360 | 301210060360 | |
| 85 | Valve Plate Ptd | 9371928012 | 9371928012 | 9371928012 | |
| 107 | Rubber Seat-A | 9351049010 | 9351049010 | 9351049010 | |
| 109 | Terminal Cover (Comp) | 9371511016 | 9371511016 | 9371511016 | |
| 187 | Clip (Cable) | 9352715006 | 9352715006 | 9352715006 | |
| 199 | Br Sheet | 9363708059 | 9363708059 | ----- | |
| 218-3 | Relay | 9900074012 | 9900074012 | 9900074012 | |
| 218-4 | Power Relay | 9900008017 | ----- | ----- | |
| 259 | Muffler | 9372369012 | 9372369012 | ----- | |
| 271 | 4-Way Valve Rubber | 313728251908 | 313728251908 | 313728251908 | |
| 272 | Strainer | 9369287008 | 9369287008 | 9369287008 | |
| 333 | Accumulator | ----- | ----- | 9368391003 | |
| 343 | Solenoid | 9900165017 | 9900165017 | 9900165017 | |
| 344 | 4-Way Valve | 9970036019 | 9970036019 | 9900163013 | |
| 361 | Accum Support Assy | ----- | ----- | 9372252017 | |
| 412 | Cover Gasket (Comp.) | 9371512013 | 9371512013 | 9371512013 | |
| 413 | Heater (Crank Case) | 9900132033 | ----- | ----- | |
| 527 | Protective Net | 9371934013 | 9371934013 | 9371934013 | |
| 734 | Top Panel | 9371925011 | 9371925011 | 9371925011 | |
| 735-3 | Capillary Assy | 9372197011 | 9372197042 | 9372197028 | |
| 754 | Terminal Gask. Washer | 9351053017 | 9351053017 | 9351053017 | |
| 815-3 | Terminal-5P | 9358660119 | 9358660119 | 9358660119 | |
| 823-2 | Fuse Holder | 0500063024 | 0500063024 | 0500063024 | |
| 824-4 | Fuse | 0600222529 | 0600222529 | 0600222529 | |
| 982-1 | Cord Clamp-A | 9359822011 | 9359822011 | 9359822011 | |
| 982-2 | Cord Clamp-B | 9359823018 | 9359823018 | 9359823018 | |

When you order parts, please make a photocopy of this page and fill the number of the parts in the "Order" column.

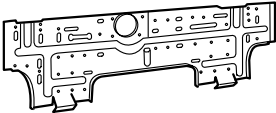
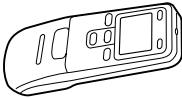

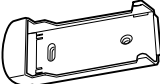


| Ref. No. | Description | Part No. | Ord. Q'ty | Ref. No. | Description | Part No. | Ord. Q'ty |
|----------|--------------------------------|------------|-----------|----------|---------------------------|--------------|-----------|
| | | AOY30FNBDL | | | | AOY30FNBDL | |
| 2 | Fan Cover (Guard) | 9371187013 | | 83 | Check Joint Bracket | 9359807025 | |
| 4 | Emblem-Rear | 9371388014 | | 84 | Valve Cover | 9359817017 | |
| 5 | Cabinet-A, Painted | 9359797029 | | 85 | Valve Fixing Plate | 9359806011 | |
| 8 | Comp Wire | 9370945072 | | 107 | Rubber Mount | 9351049010 | |
| 9 | Cabinet-B, Painted | 9359798026 | | 109 | Terminal Cover | 9371511016 | |
| 12 | Base Assy, Painted | 9359813019 | | 117-3 | Hex. Nut w/Sp. Washer | 301721180114 | |
| 13 | 3-Way Valve Assy (5/8) | 9372205037 | | 187 | Clamp No.1219 | 313361271706 | |
| 13-2 | 2-Way Valve Assy (3/8) | 9372204047 | | 218-3 | Power Relay | 9900074012 | |
| 16 | Condenser Assy | 9372866016 | | 263 | Accumulator | 9385005006 | |
| 18 | Inlet Pipe (Condenser) Assy | 9372185049 | | 272 | Strainer | 9369287008 | |
| 20 | Discharge Pipe | 9369047008 | | 328 | Comp. Plate Assy | 9362273060 | |
| 26 | Comp. Cover | 9369093005 | | 373 | Grip | 9352157004 | |
| 29 | Separate Wall | 9359804017 | | 407 | Clamp (Cable) No.1259 | 313739340109 | |
| 32 | Control Box Metal | 9359839019 | | 412 | Cover Gasket | 9371512013 | |
| 34 | Capacitor (Fan Motor) | 9357965024 | | 420 | Capillary Assy | 9371287119 | |
| 37 | Running Capacitor | 9703107092 | | 477 | Bell-mouth | 9359809012 | |
| 38 | Capacitor Clamp | 9351770013 | | 527 | Protection Net | 9359844013 | |
| 39 | Propeller Fan | 9359837015 | | 549 | Thermostat-Outdoor | 9352553004 | |
| 41 | Fan Motor Assy-Out (MFB-30DFT) | 9600832011 | | 653-1 | Cup Screw | 9385089020 | |
| 45-1 | Motor Bracket-A | 9369627002 | | 734 | Cabinet Top Plate Panel | 9359799023 | |
| 45-2 | Motor Bracket-B | 9369628009 | | 735 | Disributor Assy | 9372867013 | |
| 45-3 | Motor Bracket-C | 9369629006 | | 754 | Gasket Washer | 9351053017 | |
| 45-4 | Motor Bracket-D | 9369630002 | | 808 | Inlet Pipe (Accumulator) | 9372879016 | |
| 46 | Compressor Assy | 9372558034 | | 815-3 | Terminal-8P | 9358660119 | |
| 51 | M5 Nut Special | 9300301015 | | 817 | Bracket (Thermo) | 9372643013 | |
| 54 | Condensing Pipe | 9372024027 | | 823-2 | Fuse Holder | 0500063024 | |
| 55 | Special Nut M8 | 9355091008 | | 824-4 | Fuse | 0600222529 | |
| 58 | Suction Pipe | 9372872017 | | 867 | Accumulator Holder Rubber | 9354022010 | |
| 64 | Cabinet Left, Painted | 9359840022 | | 983 | Thermostat Cover | 9358274002 | |
| 82-1 | Check Joint | 9372802014 | | 989-1 | Cord Clamp-A | 9359822011 | |
| | | | | 989-2 | Cord Clamp-B | 9359823018 | |

When you order parts, please make a photocopy of this page and fill the number of the parts in the "Order" column.

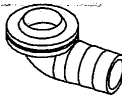
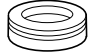
| Ref. No. | Description | Part No. | Ord. Q'ty | Ref. No. | Description | Part No. | Ord. Q'ty |
|----------|--------------------------------|------------|-----------|----------|---------------------------|--------------|-----------|
| | | AOY30UNBDL | | | | AOY30UNBDL | |
| 2 | Fan Cover (Guard) | 9371187013 | | 81 | Strap | 9362371001 | |
| 4 | Emblem-Rear "FUJITSU" | 9371388014 | | 82-1 | Check Joint | 9372802014 | |
| 5 | Cabinet-A, Painted | 9359797029 | | 83 | Check Joint Bracket | 9359807025 | |
| 8 | Comp Wire | 9370945072 | | 84 | Valve Cover | 9359817017 | |
| 9 | Cabinet-B, Painted | 9359798026 | | 85 | Valve Fixing Plate | 9359806011 | |
| 12 | Base Assy, Painted | 9359813019 | | 107 | Rubber Mount | 9351049010 | |
| 13 | 3-Way Valve (5/8) | 9372205037 | | 109 | Terminal Cover | 9371511016 | |
| 13-2 | 3-Way Valve (3/8) | 9372204047 | | 117-3 | Hex. Nut w/Sp. Washer | 301721180114 | |
| 16 | Condenser Assy | 9369981005 | | 187 | Clamp No. 1219 | 313361271706 | |
| 18 | Inlet Pipe (Condenser) | 9372185049 | | 218-3 | Power Relay | 9900074012 | |
| 18-1 | Inlet Pipe (Condenser) B | 9372878019 | | 263 | Accumulator | 9385005006 | |
| 20 | Discharge Pipe Assy | 9372873014 | | 272 | Strainer | 9369287008 | |
| 26 | Comp. Cover | 9369093005 | | 328 | Comp Plate Assy | 9362273060 | |
| 29 | Separate Wall | 9359804017 | | 342 | Screw (Solenoid Valve) | 9970024016 | |
| 32 | Control Box Metal | 9359839019 | | 343 | Solenoid | 9900196011 | |
| 34 | Capacitor (Fan Motor) | 9357965024 | | 344 | 4-Way Valve | 9900163013 | |
| 37 | Running Capacitor | 9703107092 | | 373 | Grip | 9352157004 | |
| 38 | Capacitor Clamp | 9351770013 | | 407 | Clamp (Cable) No. 1259 | 313739340109 | |
| 39 | Propeller Fan Assy | 9359837015 | | 412 | Terminal Gasket | 9371512013 | |
| 41 | Fan Motor Assy-Out (MFB-30DFT) | 9600832011 | | 420 | Capillary Assy | 9371287102 | |
| 45-3 | Motor Bracket-A | 9369627002 | | 477 | Bell-Mouth | 9359809012 | |
| 45-4 | Motor Bracket-B | 9369628009 | | 527 | Protection Net | 9359844013 | |
| 45-5 | Motor Bracket-C | 9369629006 | | 653-1 | Cup Screw | 9385089020 | |
| 45-6 | Motor Bracket-D | 9369630002 | | 734 | Cabinet Top Panel | 9359799023 | |
| 46 | Compressor Assy | 9372558034 | | 735 | Distributor Assy | 9369076008 | |
| 51 | M5 Nut special | 9300301015 | | 754 | Gasket Washer | 9351053017 | |
| 54-1 | Condensing Pipe-A | 9372024027 | | 772 | Joint Pipe (Valve) | 9372876015 | |
| 55 | Special Nut M8 | 9355091008 | | 808 | Inlet Pipe (Accumulator) | 9372875018 | |
| 58 | Suction Pipe | 9372872017 | | 815-3 | Terminal-8P | 9358660119 | |
| 64 | Cabinet Left, Painted | 9359840022 | | 823-2 | Fuse Holder | 0500063024 | |
| | | | | 824-4 | Fuse | 0600222529 | |
| | | | | 867 | Accumulator Holder Rubber | 9354022010 | |
| | | | | 989-1 | Cord Clamp-A | 9359822011 | |
| | | | | 989-2 | Cord Clamp-B | 9359823018 | |

STANDARD ACCESSORIES



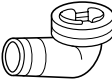

INDOOR UNIT ACCESSORIES

| Name and Shape | Part No. |
|--|---|
| Wall hook bracket  | 9367987009 |
| Remote control unit  | Cooling model 9374322022 (AR-JW2) |
| | Cooling and Heating model 9374322015 (AR-JW1) |
| Battery (penlight)  | 0600185534 |
| Remote control unit holder  | 9305642014 |
| Tapping screw (big) ($\phi 4 \times 20$)  | 301141164200 |
| Tapping screw (small) ($\phi 3 \times 12$)  | 301141533125 |

OUTDOOR UNIT ACCESSORIES (18,000 24,000BTU model)

| Name and Shape | Part No. |
|--|--|
| Drain Assy  | 9303029015 [Heat & Cool model (Reverse cycle)only] |
| Drain cap  | 313166024302 [Heat & Cool model (Reverse cycle)only] |

OUTDOOR UNIT ACCESSORIES (30,000 BTU model)

| Name and Shape | Part No. |
|---|--|
| Cable clip  | 313739340109 |
| Tapping screw  | 301463040100 |
| Drain pipe  | 9303029015 [Heat & Cool model (Reverse cycle)only] |
| Drain cap  | 313166024302 [Heat & Cool model (Reverse cycle)only] |



Большая библиотека технической документации

<https://splitsystema48.ru/instrukcii-po-ekspluatácii-kondicionerov.html>

каталоги, инструкции, сервисные мануалы, схемы.